

EAN: 6414150082740

www.oras.com/en/products/oras/product/3031F



Kitchen faucet with smart dishwasher valve and with pull-out spout. Swivel spout with pull-out spout/spray and aerator. Spout's pull-out length can be fixed. Spout's swing angle is factory preset at 120° (can be limited to 60°-0°). Dishwasher valve closes automatically after 4 or 12 hours (one push opens the valve for 4 hours, pushing for 5 seconds opens the valve for 12 hours). Battery operated, 3 V. There are also in-built limitation options for water temperature and maximum flow-rate.

F = with flexible pipes

- Kitchen
- Single-lever, side operated
- Deck mounted
- Chrome
- Swivel spout, Pull-out model, Swivel range limiting option
- Electronic stop valve for external equipment
- Single operating lever/handle, Hot/Cold symbols
- Limitation option for maximum temperature and flow-rate
- ø 40 mm ceramic cartridge for flow and temperature control, Litter filter(s)
- Solenoid valve, External control unit, Light indicated function(s), Low battery indicator
- Flexible inlet pipes

Technical data

Flow properties

Flow-rate at 300 kPa	0.18 l/s
Pressure loss with flow (0.1 l/s)	95 kPa
Pressure loss with flow (0.2 l/s)	370 kPa

Technical properties

Hot water supply	max. +70°C
Working pressure	50 - 1000 kPa
Connection size	G3/8
Projection	200 mm
Material	Brass

Software settings

Dishwasher valve open period	4 h / 12 h
------------------------------	-------------------

Electronic properties

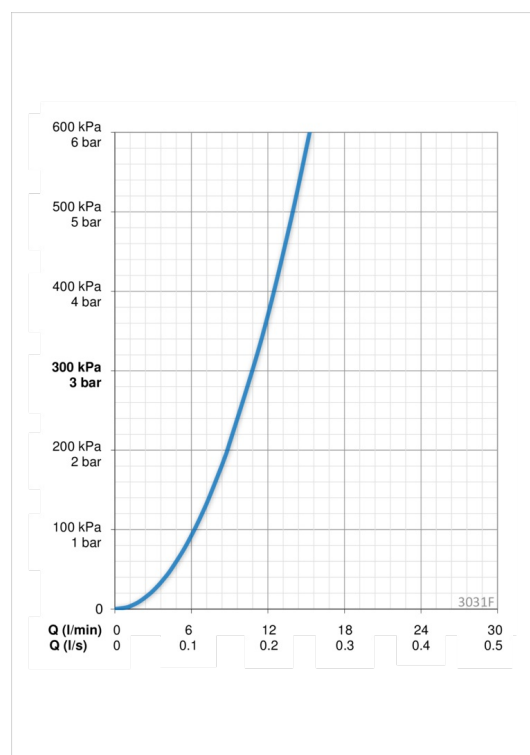
Battery	AA 1.5 V Lithium x 2
---------	-----------------------------

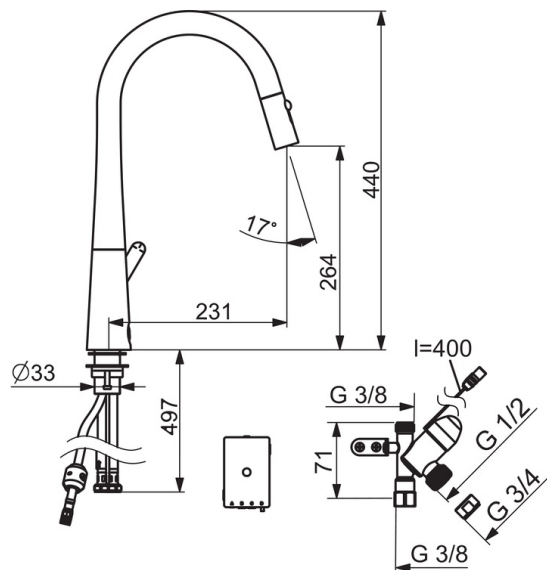
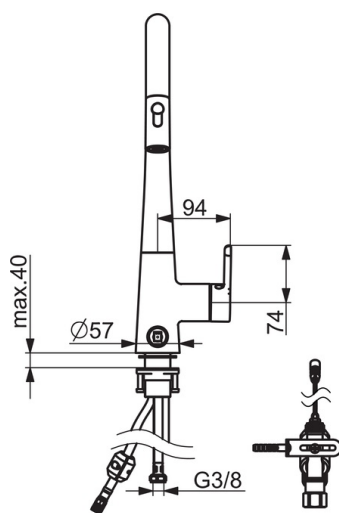
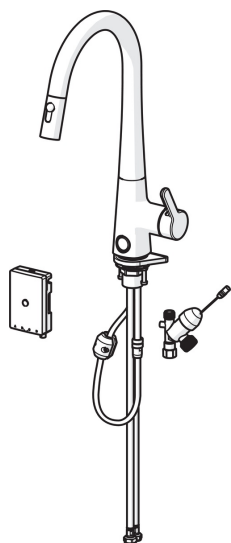
Regulations

EMC Directive	CE 2014/30/EU
EN standard	EN 817, EN 15091
Noise class	I (ISO 3822)
Protection class	IP 55

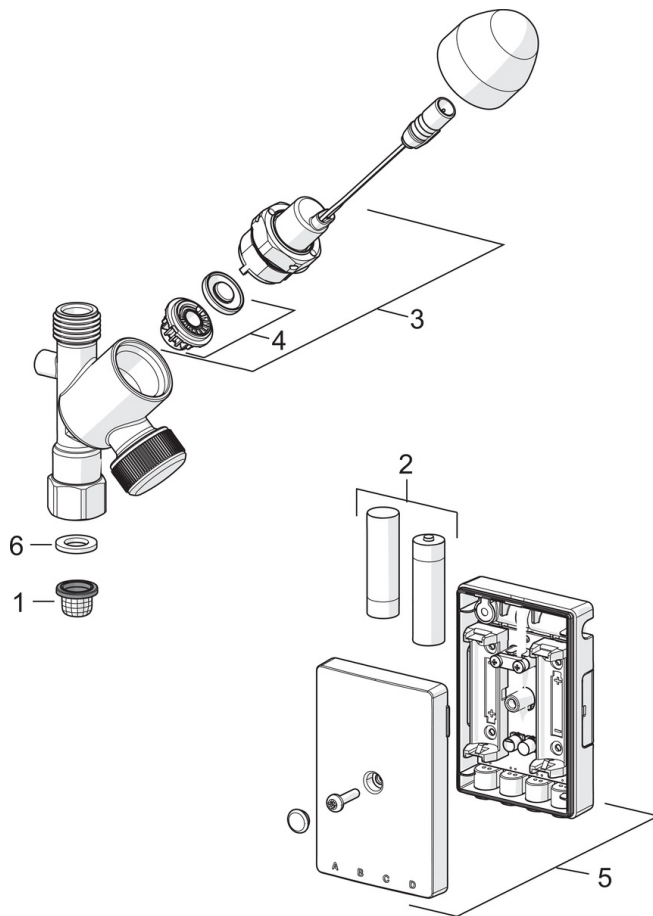
Type approvals

KIWA SE	1607
---------	-------------



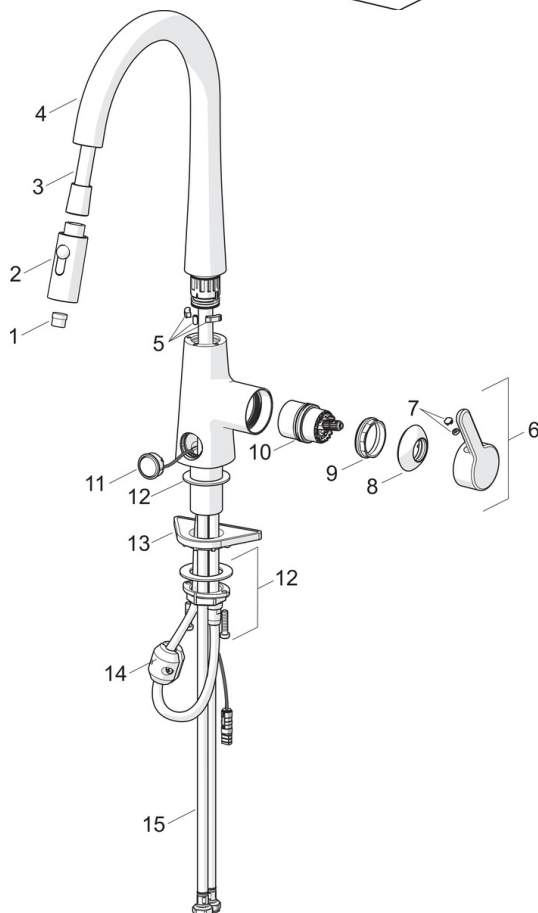


Spare parts



SP0116

	Name	Code
01	Litter filters	199257/2
02	Battery, 1,5 V AA Lithium	600599V
03	Pilot valve, 3 V	601884V-F
04	Membrane	601512V
05	Control unit, 3 V	1005266V
06	Gasket, 18.5/12x2 EPD	438025/10



SP3032F

	Name	Code
01	Aerator	1000972V
02	Shower head	1001321V
03	Shower hose, L=1500	1004704V
04	Spout	1003323V
05	Spout overturning stopper, 60°/0°	602706/2
06	Lever	1003084V
07	Symbol plug	602069V
08	Covering cap	1001740V
09	Tightening nut	158726
10	Cartridge	1003691V
11	Push button, 3 V	1004296V
12	Fixing set	602629V
13	Supporting plate, 100x60mm	158825
14	Counterbalance	602342V
15	Flexible pipe, L=550, G3/8-M10x1 LH	1004663V