

EAN: 6414150082726

www.oras.com/en/products/oras/product/3032F



Kitchen faucet with pull-out spout. Swivel spout with pull-out spout/spray and aerator. Spout's pull-out length can be fixed. Spout's swing angle is factory preset at 120° (can be limited to 60°-0°). There are also in-built limitation options for water temperature and maximum flow-rate.

F = with flexible pipes

- Kitchen
- Side operated, Single lever
- Deck mounted
- Chrome
- flexible inlet pipe(s)

Technical data

Flow properties

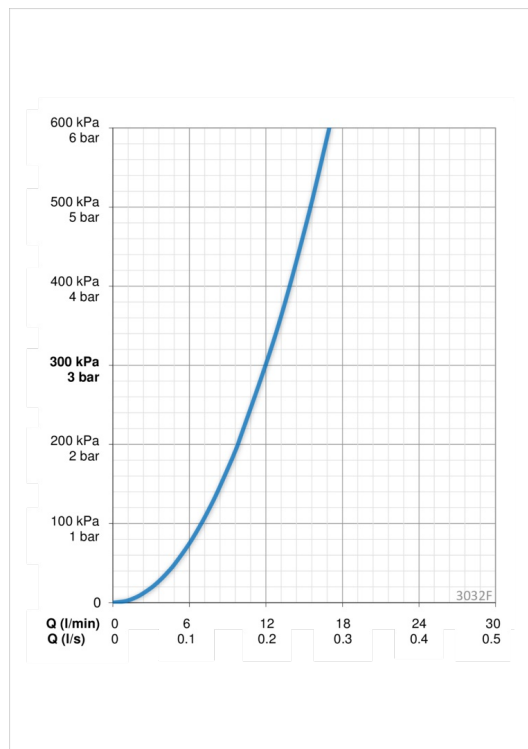
Flow-rate at 300 kPa	0.2 l/s
Pressure loss with flow (0.2 l/s)	300 kPa

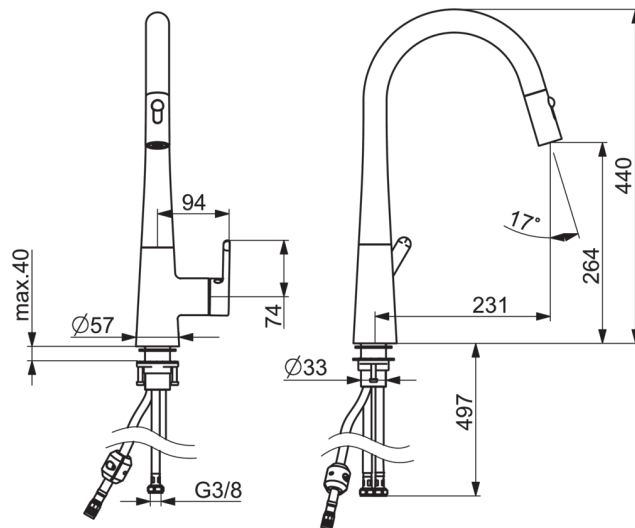
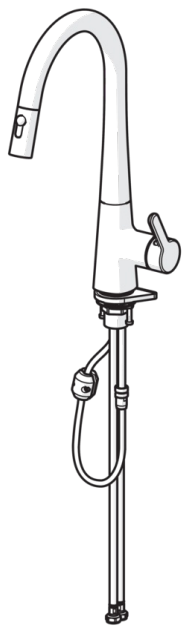
Technical properties

Hot water supply	max. +80°C
Working pressure	50 - 1000 kPa
Connection size	G3/8
Projection	200 mm
Material	brass

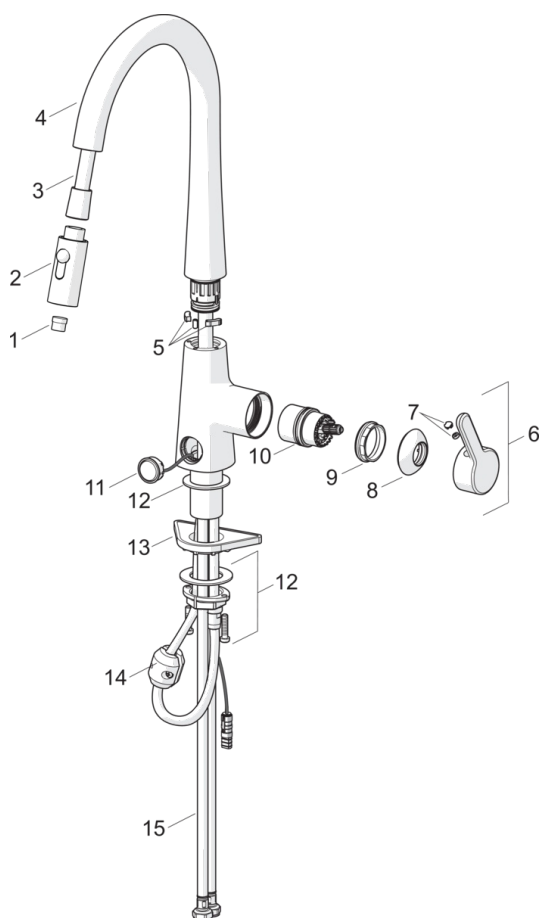
Regulations

EN standard	EN 817
Noise class	I (ISO 3822)





Spare parts



SP3032F

	Code
01	1000972V
02	1001321V
03	1004704V
04	1003323V
05	602706/2
06	1003084V
07	602069V
08	1001740V
09	158726
10	1003691V
11	1004296V
12	602629V
13	158825
14	602342V
15	1004663V