

EAN: 6414150082795
static.oras.com/3040

Bath and shower faucet with fixed spout, diverter and aerator. There are also in-built limitation options for water temperature and maximum flow-rate.

- Bath tub & Shower
- Single-lever, side operated
- Wall mounted
- Chrome
- Fixed spout
- Temperature control handle, Flow control handle
- Push operated diverter
- Thermostatic cartridge for automatic temperature control, Non-return valve(s), \varnothing 40 mm ceramic cartridge for flow and temperature control

Technical data

Flow properties

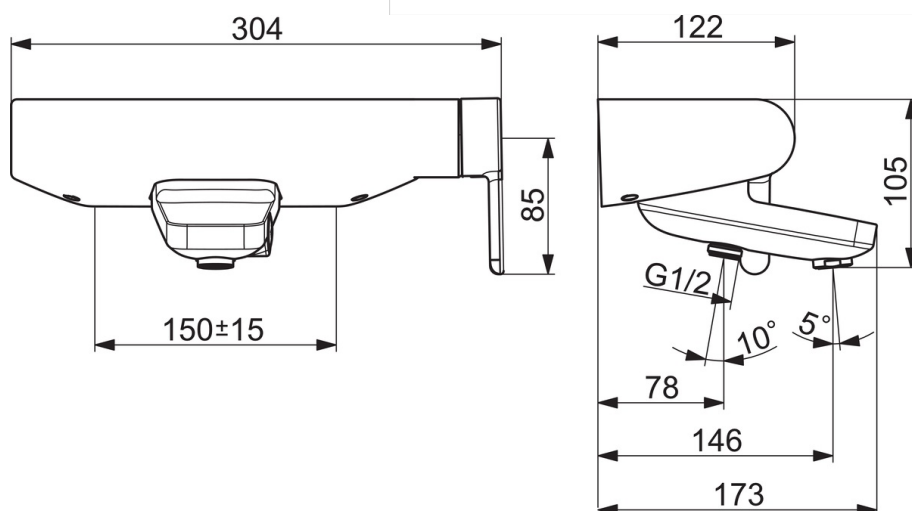
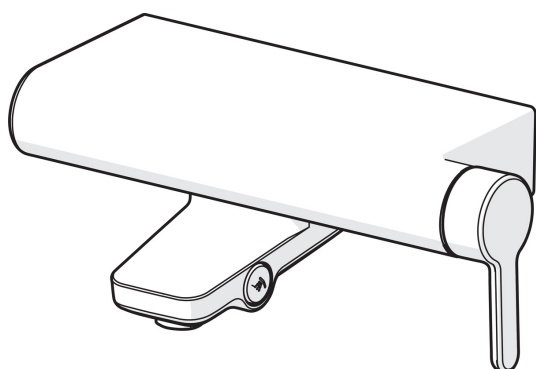
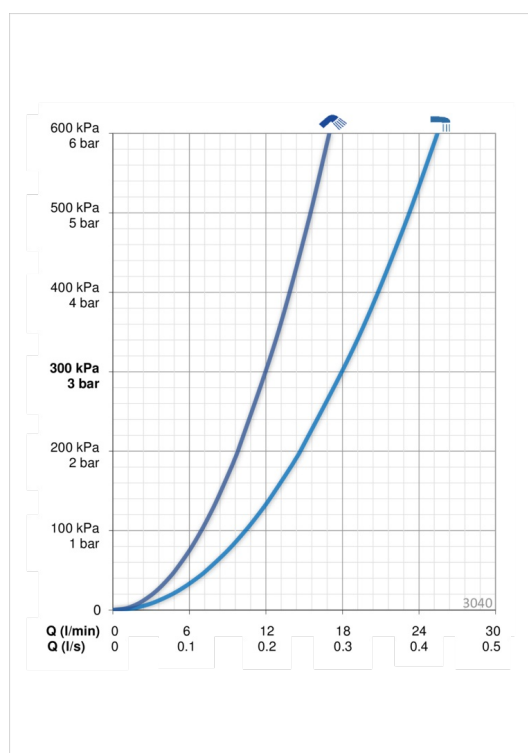
Flow-rate at 300 kPa	0.3 / 0.2 l/s
Pressure loss with flow (0.2 l/s)	150 kPa
Pressure loss with flow (0.3 l/s)	300 kPa

Technical properties

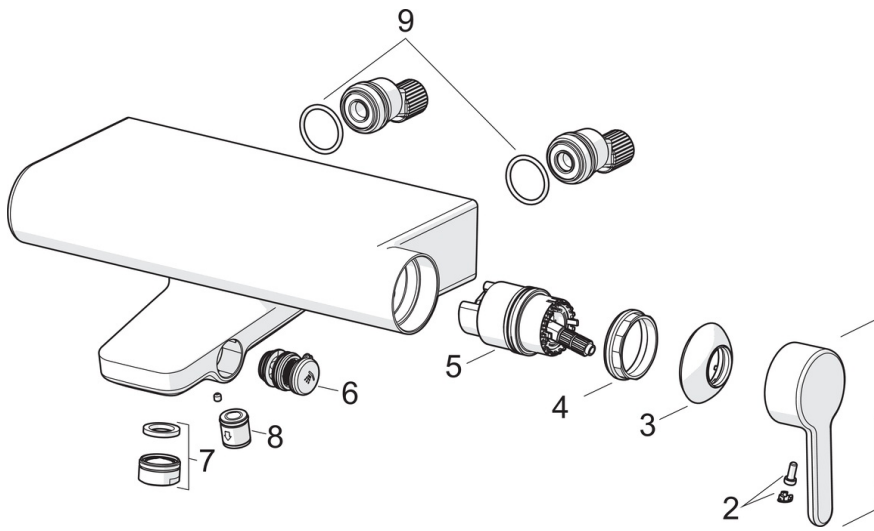
Hot water supply	max. +80°C
Working pressure	50 - 1000 kPa
Connection size	G1/2
Installation width	CC150 \pm 15 mm
Projection	146 mm
Material	Brass

Regulations

EN standard	EN 1111
Noise class	II (ISO 3822)



Spare parts



SP3040

	Name	Code
01	Lever	1003074V
02	Symbol plug	1002323V
03	Covering cap	1001740V
04	Tightening nut	158726
05	Cartridge	158890
06	Diverter	1002394V
07	Aerator, M24x1 D	602104V
08	Non-return valve, DN15	105311
09	O-ring, 25.07x2.62	602674V