

EAN: 6414150079931

www.oras.com/en/products/oras/product/3818BF



Bidet faucet with loop lever and ball-jointed aerator. There are also in-built limitation options for water temperature and maximum flow-rate.

F = with flexible pipes

- Bathroom
- Single lever, top operated
- Deck mounted
- Chrome
- Adjustable flow angle, HONEYCOMB® - improved lime protection
- Loop design, Single operating lever/handle, Hot/Cold symbols
- Limitation option for maximum temperature and flow-rate
- ø 35 mm ceramic cartridge for flow and temperature control
- Flexible inlet pipes
- Rapid installation system

Technical data

Flow properties

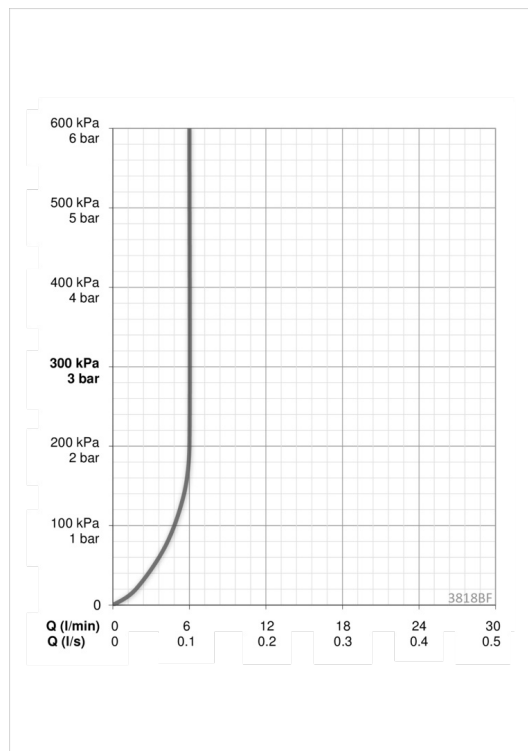
Flow-rate at 300 kPa (with flow controller) **0.1 l/s**

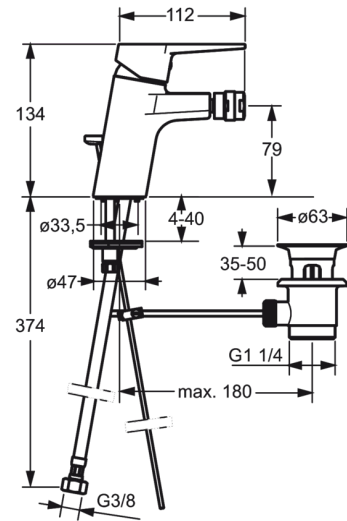
Technical properties

Hot water supply **max. +90°C**
 Working pressure **100 - 1000 kPa**
 Projection **112 mm**

Regulations

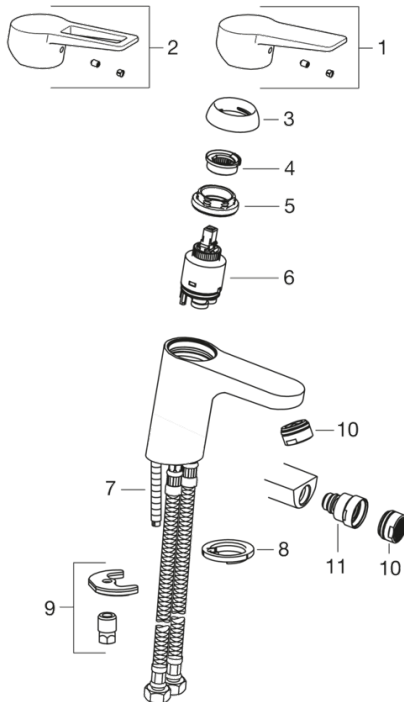
EN standard **EN 817**
 Noise class **P-IX 18545/IA**





Spare parts

SP3810F



	Name	Code
01	Lever	602616V
02	Lever	602617V
03	Covering cap	601967V
04	Temperature adjustment limiter	601973V
05	Tightening nut, M40x1, SW30	601968V
06	Cartridge	601969V
07	Fixing screw, M8x1, L=140	601970V
08	Bottom seal	601971V
09	Fixing set	601972V
10	Aerator, M24x1, 6 l/min	601974V
11	Ball joint for bidet faucet	601976V