

EAN: 6414150079948
static.oras.com/3840U

Bath and shower faucet with solid lever, fixed spout and diverter. Eccentric unions and cover plates are included. There are also in-built limitation options for water temperature and maximum flow-rate.



- Bath tub & Shower
- Single-lever
- Wall mounted
- Chrome
- Fixed spout
- Single operating lever/handle, Hot/Cold symbols
- Pull operated diverter
- Limitation option for maximum temperature and flow-rate
- Non-return valve(s), \varnothing 35 mm ceramic cartridge for flow and temperature control
- Eccentric coupling(s), Cover plate(s), Silencer(s)

Technical data

Flow properties

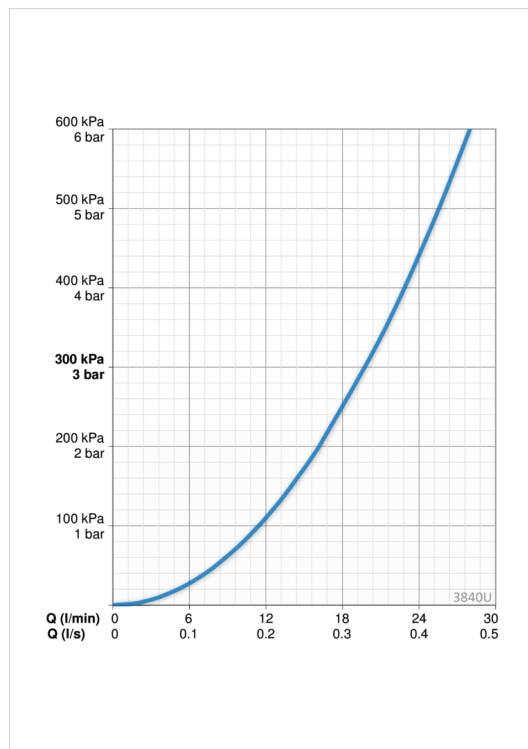
Flow-rate at 300 kPa **0.33 l/s**

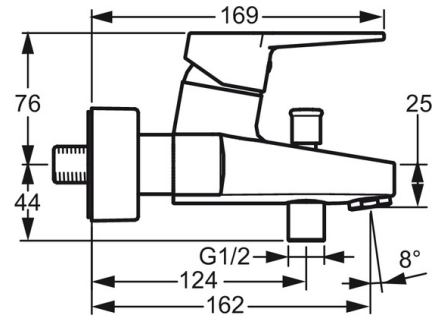
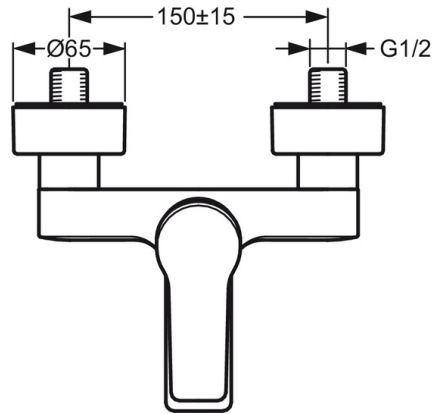
Technical properties

Hot water supply **max. +90°C**
 Working pressure **100 - 1000 kPa**
 Projection **162 mm**

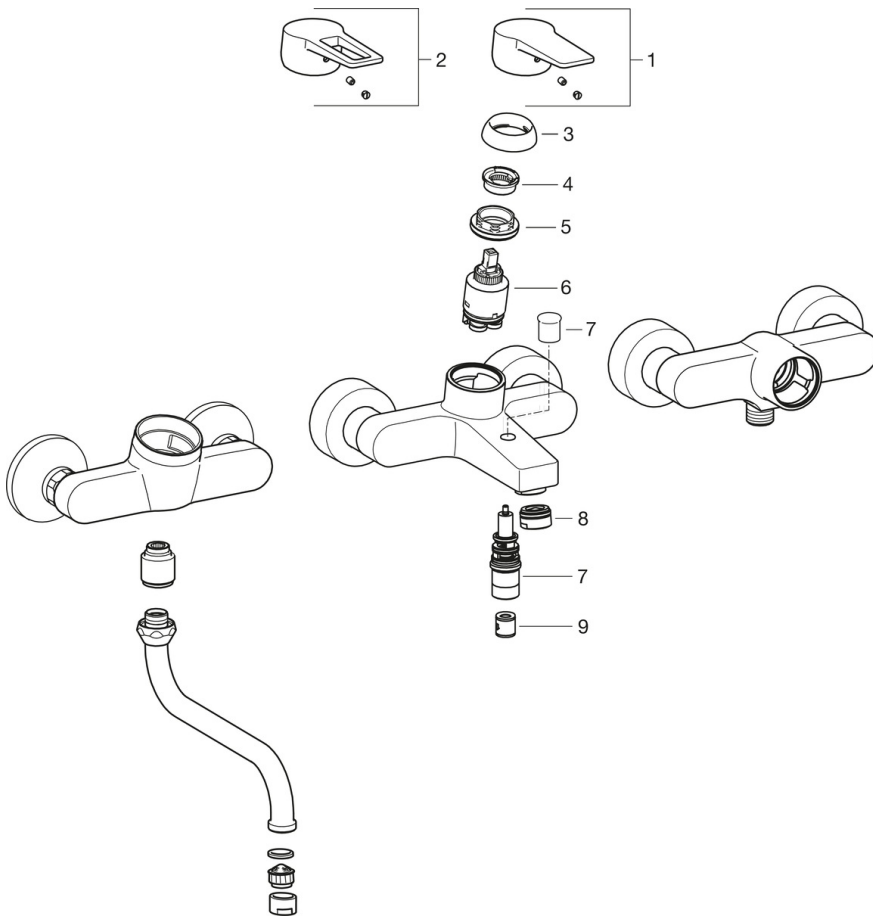
Regulations

EN standard **EN 817**
 Noise class **I (ISO 3822)**





Spare parts



SP3836U

	Name	Code
01	Lever	602616V
02	Lever	602617V
03	Covering cap	601967V
04	Temperature adjustment limiter	601973V
05	Tightening nut, M40x1, SW30	601968V
06	Cartridge, 3.5 Classic	601969V
07	Diverter	602103V
08	Aerator, M24x1 C	601987V
09	Non-return valve	601989V