

EAN: 6414150080234

[www.oras.com/en/products/oras/product/3843](http://www.oras.com/en/products/oras/product/3843)



Bath faucet (4 holes) with fixed diverter spout, aerator and separate control handles for hot and cold water. Rough in set, hand shower and shower hose are included.

- Bathroom
- Two-grip
- Rim mounted
- Chrome
- Fixed spout
- Two operating levers/handles
- Hand shower, Shower hose (2000 mm)
- Non-return valve(s)

## Technical data

### Flow properties

Flow-rate at 300 kPa **0.34 / 0.22 l/s**

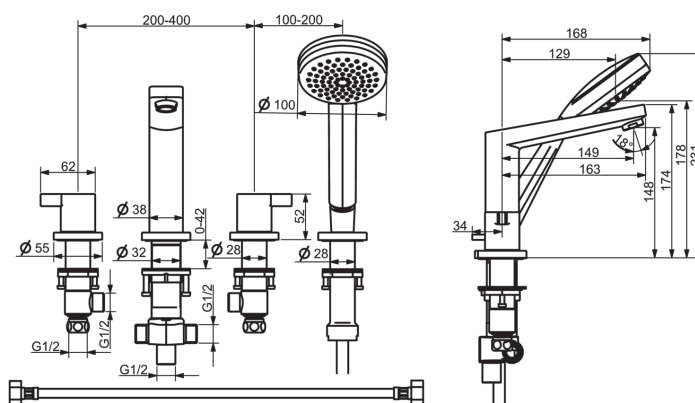


### Technical properties

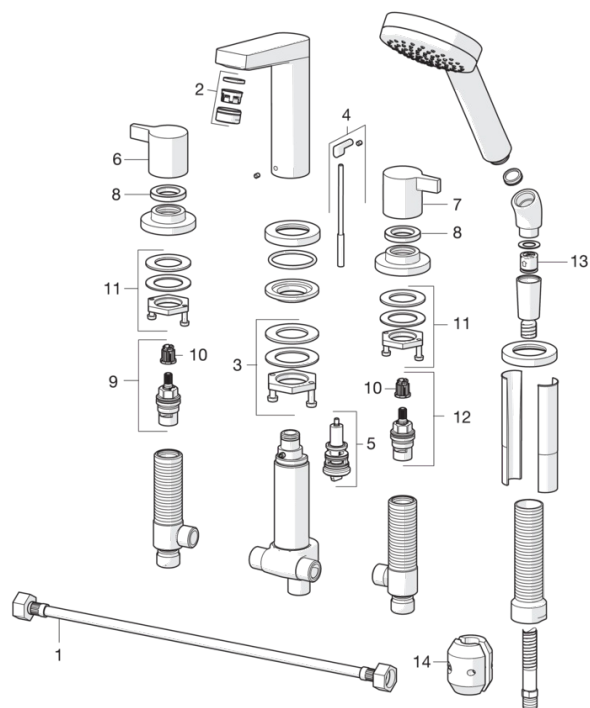
Hot water supply **max. +80°C**  
 Working pressure **50 - 1000 kPa**  
 Projection **149 mm**

### Regulations

EN standard **EN 200**



## Spare parts



### SP3843

	<b>Name</b>	<b>Code</b>
01	Flexible pipe, L=600, G1/2xG1/2	1000137/2
02	Aerator, M24x1 C	601987V
03	Fixing set	602629V
04	Pop-up operating rod	1000154V
05	Diverter	601988V
06	Handle	602625V
07	Handle	602628V
08	Tightening nut, d35,5 x M24 x 1	602630V
09	Headpart, G1/2, SW17	602631V
10	Adapter White	602632V
11	Fixing set	602626V
12	Headpart, G1/2	602633V
13	Non-return valve	601989V
14	Counterbalance	602342V