

EAN: 6414150077852  
[static.oras.com/3904](http://static.oras.com/3904)

Washbasin faucet with pop-up waste, fixed spout and aerator. There are also in-built limitation options for water temperature and maximum flow-rate. Flow controller 6.0 l/min.



- Washbasin
- Single-lever
- Deck mounted
- Chrome
- Fixed spout, Casted construction
- Standard aerator
- Single operating lever/handle, Hot/Cold symbols
- Pop-up waste with draw-rod, Chain holder without chain
- Limitation option for maximum temperature and flow-rate
- $\varnothing$  35 mm ceramic cartridge for flow and temperature control
- Copper inlet pipes
- Rapid installation system

## Technical data

### Flow properties

Flow-rate at 300 kPa (with flow controller)	<b>0.1 l/s</b>
Pressure loss with flow (0.1 l/s)	<b>200 kPa</b>

### Technical properties

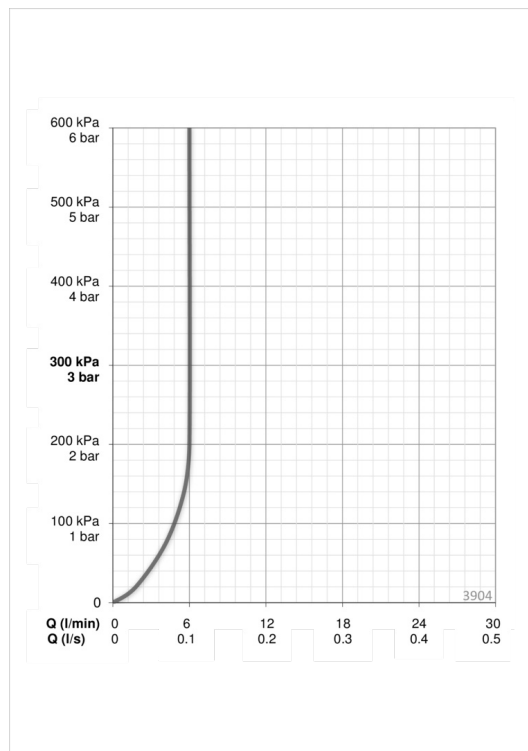
Hot water supply	<b>max. +80°C</b>
Working pressure	<b>50 - 1000 kPa</b>
Connection size	<b><math>\varnothing</math>10 mm</b>
Projection	<b>103 mm</b>
Material	<b>Brass</b>

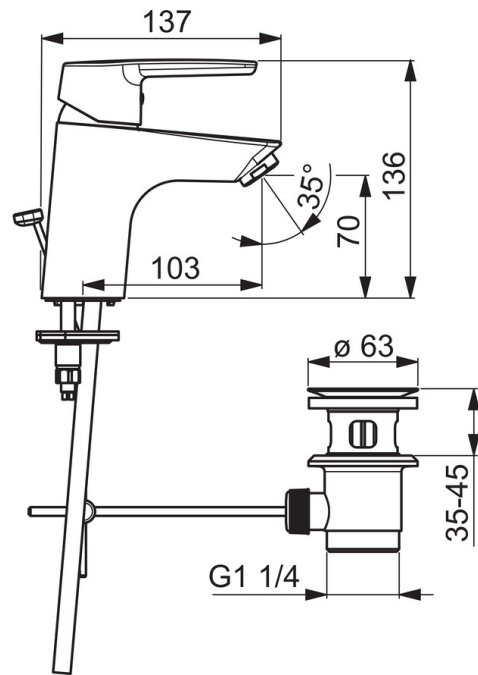
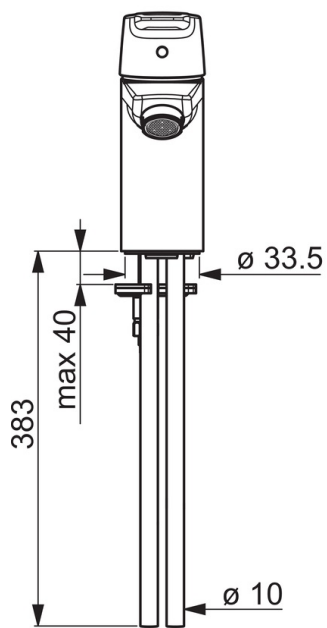
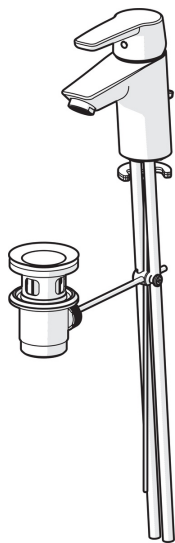
### Regulations

EN standard	<b>EN 817</b>
Noise class	<b>I (ISO3822) Oras lab.</b>

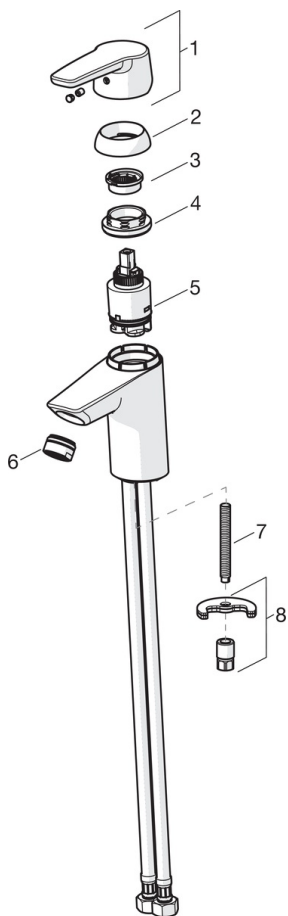
### Approvals and Declarations

KIWA SE	<b>1413</b>
---------	-------------





## Spare parts



### SP3910F

	Name	Code
01	Long lever	201078
01	Lever	1000801V
02	Covering cap	601967V
03	Temperature adjustment limiter	601973V
04	Tightening nut, M40x1, SW30	601968V
05	Cartridge	601969V
06	Aerator, M24x1, -102	601255V
06	Aerator, M24x1, -105	601166V
06	Aerator, M24x1, 6 l/min	601974V
06	Aerator, M24x1, -104	601434V
07	Fixing screw, M8x1, L=140	601970V
08	Fixing set	601985V