

EAN: 6414150077869
static.oras.com/3904F-102



- GreenBuilding
- Single-lever, Green Building
- Deck mounted
- Chrome
- Single operating lever/handle, Hot/Cold symbols
- Pop-up waste with draw-rod, Chain holder without chain
- Limitation option for maximum temperature and flow-rate
- \varnothing 35 mm ceramic cartridge for flow and temperature control
- Flexible inlet pipes
- Rapid installation system

Technical data

Flow properties

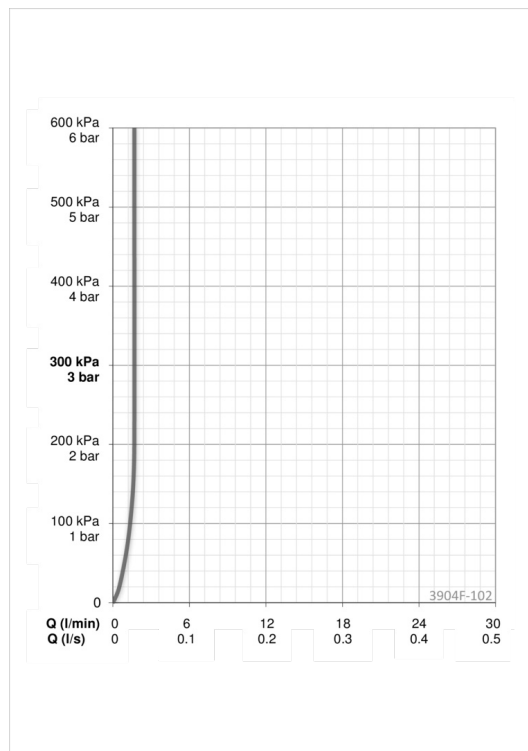
Flow-rate at 300 kPa (with flow controller) **0.028 l/s**

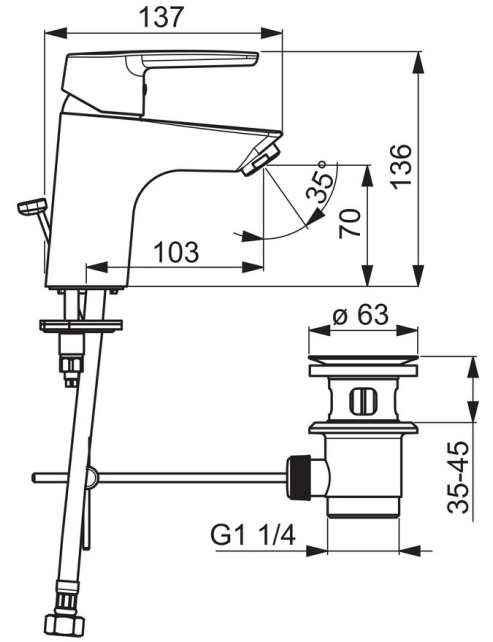
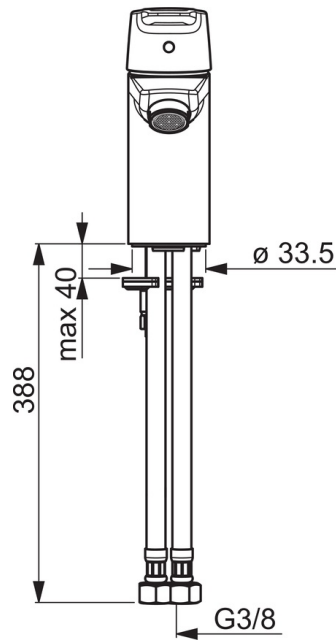
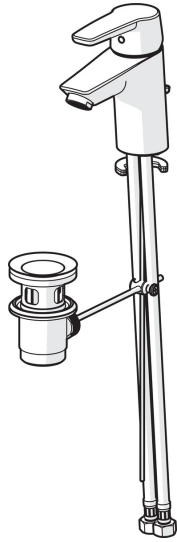
Technical properties

Hot water supply **max. +80°C**
 Working pressure **50 - 1000 kPa**

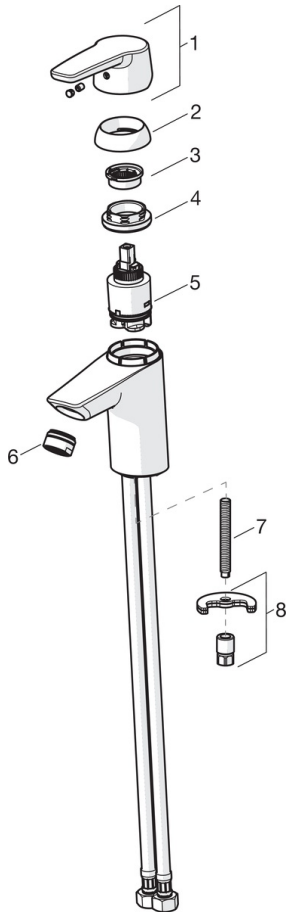
Regulations

EN standard **EN 817**
 Noise class **I (ISO 3822) Oras lab.**





Spare parts



SP3910F

	Name	Code
01	Long lever	201078
01	Lever	1000801V
02	Covering cap	601967V
03	Temperature adjustment limiter	601973V
04	Tightening nut, M40x1, SW30	601968V
05	Cartridge	601969V
06	Aerator, M24x1, -102	601255V
06	Aerator, M24x1, -105	601166V
06	Aerator, M24x1, 6 l/min	601974V
06	Aerator, M24x1, -104	601434V
07	Fixing screw, M8x1, L=140	601970V
08	Fixing set	601985V