

EAN: 6414150077791
static.oras.com/3910



Washbasin faucet with fixed spout and aerator. There are also in-built limitation options for water temperature and maximum flow-rate. Flow controller 6.0 l/min.

- Washbasin
- Single-lever
- Deck mounted
- Chrome
- Fixed spout
- Standard aerator
- Single operating lever/handle, Hot/Cold symbols
- Chain holder without chain
- Limitation option for maximum temperature and flow-rate
- \varnothing 35 mm ceramic cartridge for flow and temperature control
- Copper inlet pipes
- Rapid installation system

Technical data

Flow properties

Flow-rate at 300 kPa (with flow controller)	0.1 l/s
Pressure loss with flow (0.1 l/s)	200 kPa

Technical properties

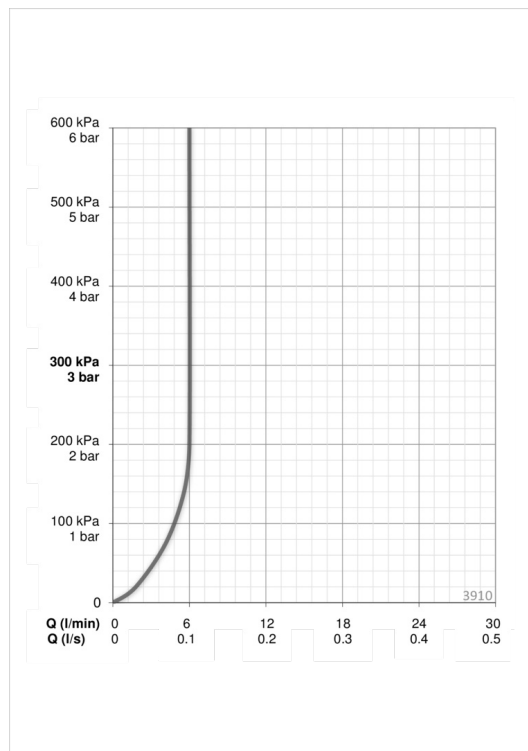
Hot water supply	max. +80°C
Working pressure	50 - 1000 kPa
Connection size	\varnothing10 mm

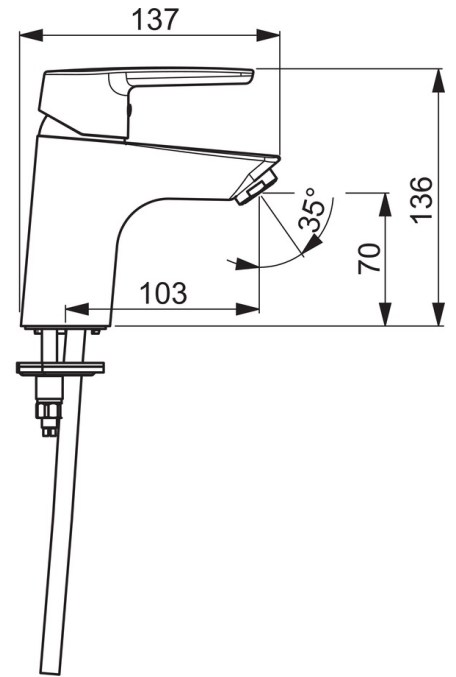
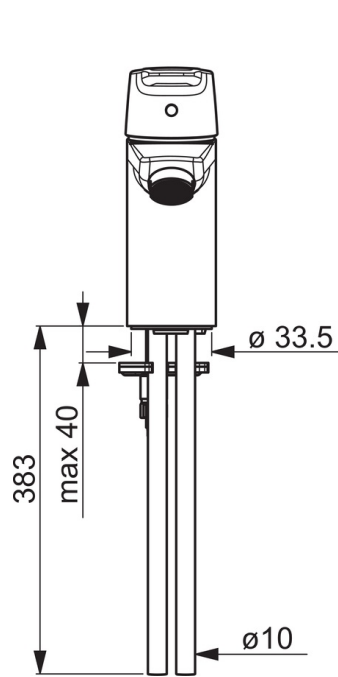
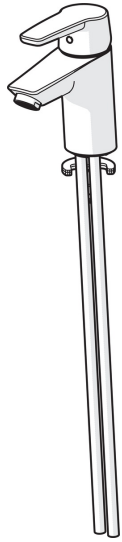
Regulations

EN standard	EN 817
Noise class	I (ISO 3822) Oras lab.

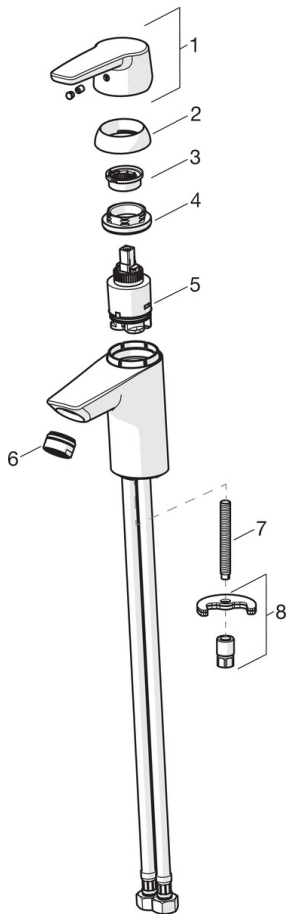
Approvals and Declarations

KIWA SE	1413
---------	-------------





Spare parts



SP3910F

	Name	Code
01	Long lever	201078
01	Lever	1000801V
02	Covering cap	601967V
03	Temperature adjustment limiter	601973V
04	Tightening nut, M40x1, SW30	601968V
05	Cartridge, 3.5 Classic	601969V
06	Aerator, M24x1, -102	601255V
06	Aerator, M24x1, -105	601166V
06	Aerator, M24x1, 6 l/min	601974V
06	Aerator, M24x1, -104	601434V
07	Fixing screw, M8x1, L=140	601970V
08	Fixing set	601985V