

EAN: 6414150078149

www.oras.com/en/products/oras/product/3940



Bath and shower faucet with fixed spout, diverter and aerator. There are also in-built limitation options for water temperature and maximum flow-rate.

- Bathroom, Shower
- Single lever, top operated
- Wall mounted
- Chrome
- Fixed spout
- CASCADE® - aerated stream
- Single operating lever/handle, Hot/Cold symbols
- Pull operated diverter
- Limitation option for maximum temperature and flow-rate
- Non-return valve(s), 35 mm ceramic cartridge for flow and temperature control

Technical data

Flow properties

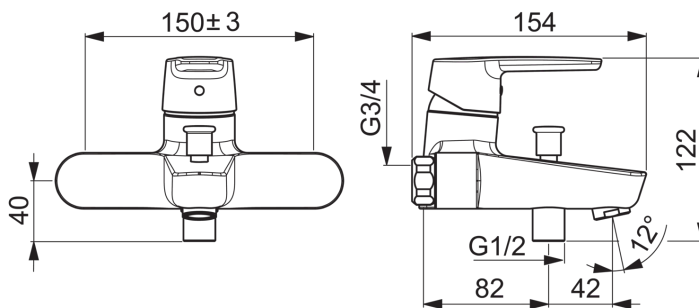
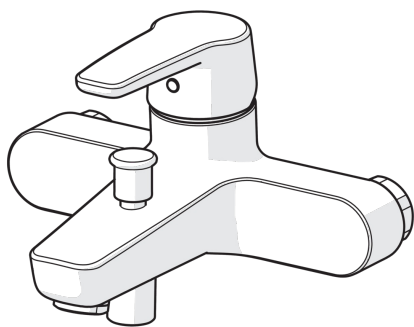
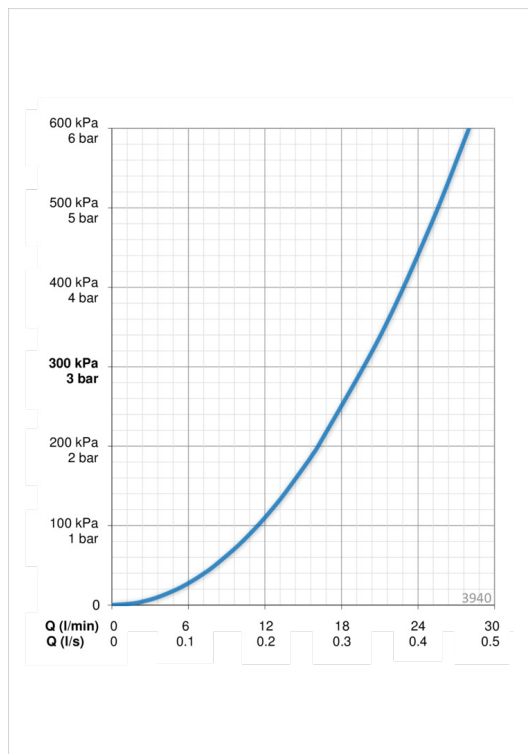
Flow-rate at 300 kPa	0.33 l/s
Pressure loss with flow (0.2 l/s)	165 kPa
Pressure loss with flow (0.3 l/s)	300 kPa

Technical properties

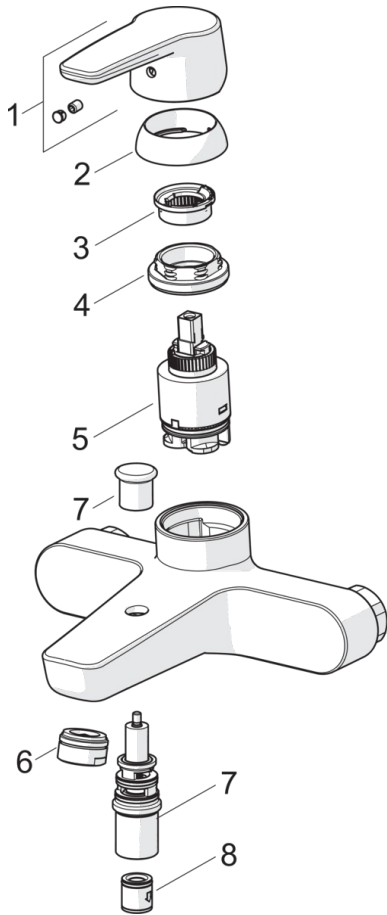
Hot water supply	max. +80°C
Working pressure	50 - 1000 kPa
Connection size	G3/4
Installation width	CC150± 3 mm
Projection	157 mm

Regulations

EN standard	EN 817
Noise class	II (ISO 3822) Oras lab.



Spare parts



SP3940

	Name	Code
01	Lever	1000801V
02	Covering cap	601967V
03	Temperature adjustment limiter	601973V
04	Tightening nut, M40x1, SW30	601968V
05	Cartridge	601969V
06	Aerator, M24x1 D	602104V
07	Diverter	602103V
08	Non-return valve	601989V