

EAN: 6414150078262

www.oras.com/en/products/oras/product/3946F

Bath faucet with diverter. There are also in-built limitation options for water temperature and maximum flow-rate. F= with flexible pipes

- Bathroom
- Single lever, top operated
- Rim mounted
- Chrome
- Fixed spout
- CASCADE® - aerated stream
- Single operating lever/handle, Hot/Cold symbols
- Pull operated diverter
- Limitation option for maximum temperature and flow-rate
- Non-return valve(s), 35 mm ceramic cartridge for flow and temperature control
- Flexible inlet pipes



Technical data

Flow properties

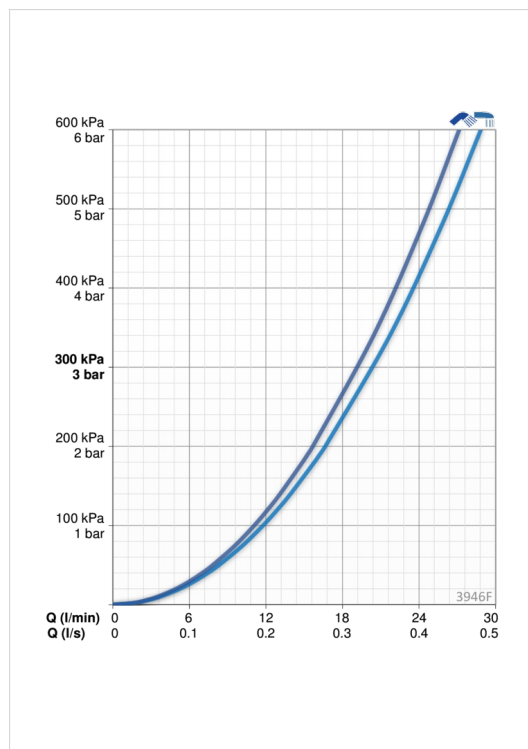
Flow-rate at 300 kPa	0.34 / 0.32 l/s
Pressure loss with flow (0.3 l/s)	250 kPa

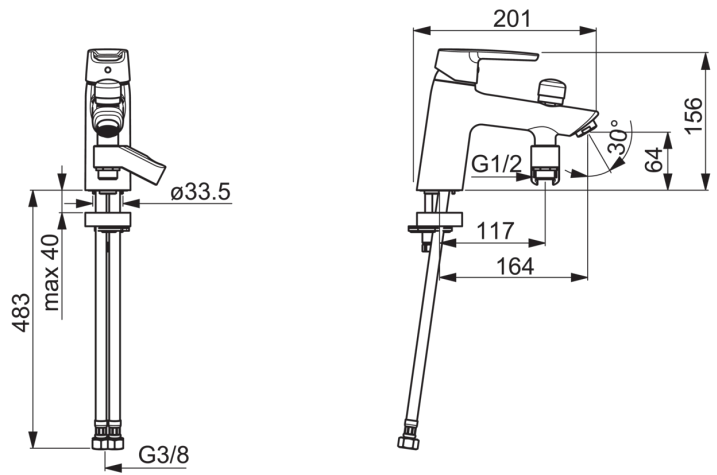
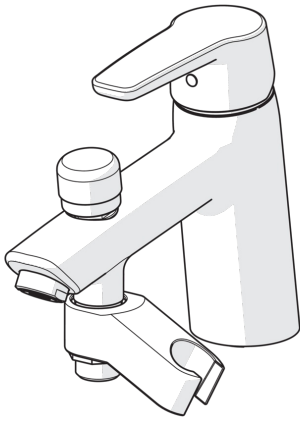
Technical properties

Hot water supply	max. +80°C
Working pressure	50 - 1000 kPa
Connection size	G3/8
Material	Brass

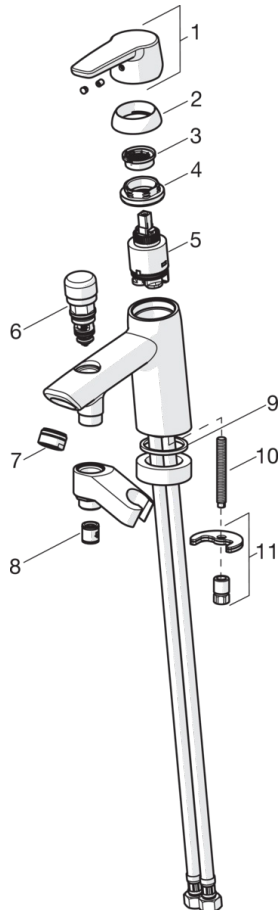
Regulations

EN standard	EN 817
-------------	---------------





Spare parts



SP3946F

	Name	Code
01	Lever	1000801V
02	Covering cap	601967V
03	Temperature adjustment limiter	601973V
04	Tightening nut, M40x1, SW30	601968V
05	Cartridge	601969V
06	Diverter	602623V
07	Aerator, M24x1 D	602104V
08	Non-return valve	601989V
09	Gasket, 43x37x3	602624/10
10	Fixing screw, M8x1, L=140	601970V
11	Fixing set	601985V