

EAN: 6414150078255
static.oras.com/3972Y

Bath and shower faucet. Eccentric unions and cover plates are included. There are also in-built limitation options for water temperature and maximum flow-rate.

- Bath tub & Shower
- Single-lever
- Wall mounted
- Chrome
- Detachable spout
- Single operating lever/handle, Hot/Cold symbols
- Pull operated diverter
- Limitation option for maximum temperature and flow-rate
- \varnothing 35 mm ceramic cartridge for flow and temperature control
- Eccentric coupling(s), Cover plate(s), Silencer(s)



Technical data

Flow properties

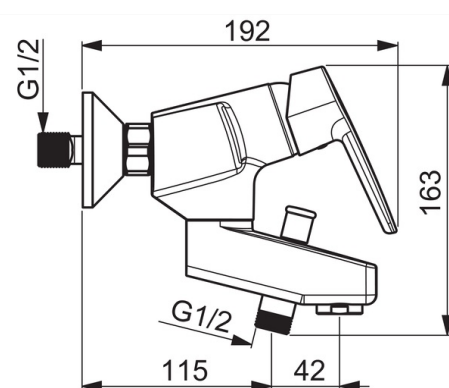
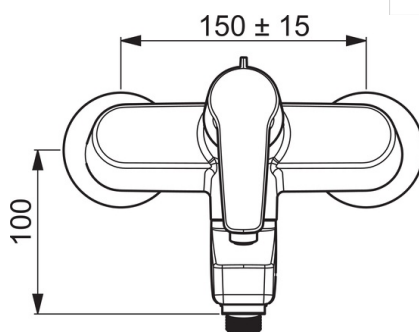
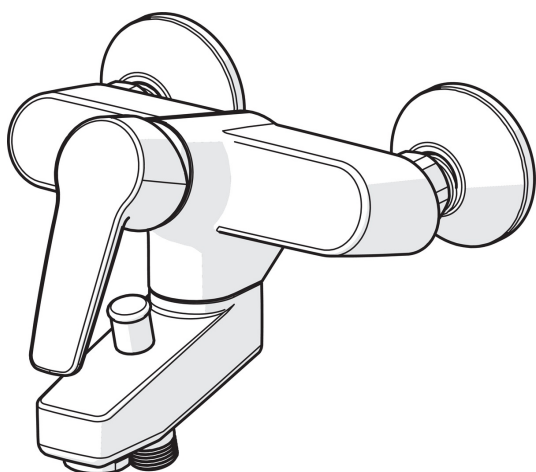
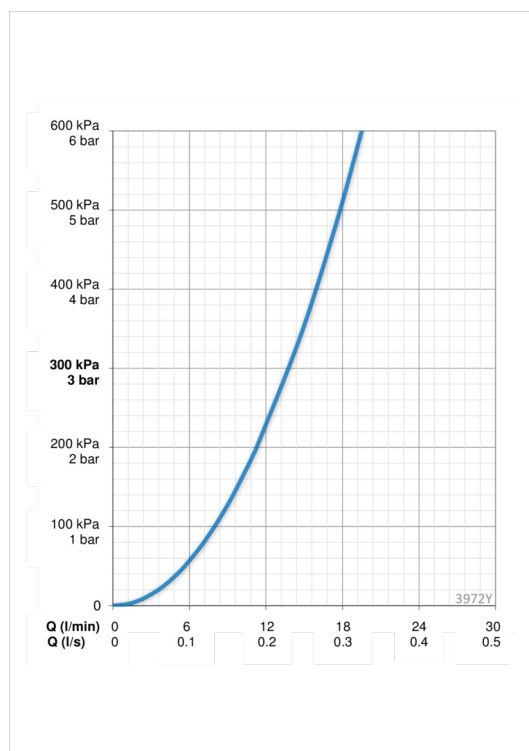
Flow-rate at 300 kPa	0.23 l/s
Pressure loss with flow (0.2 l/s)	230 kPa

Technical properties

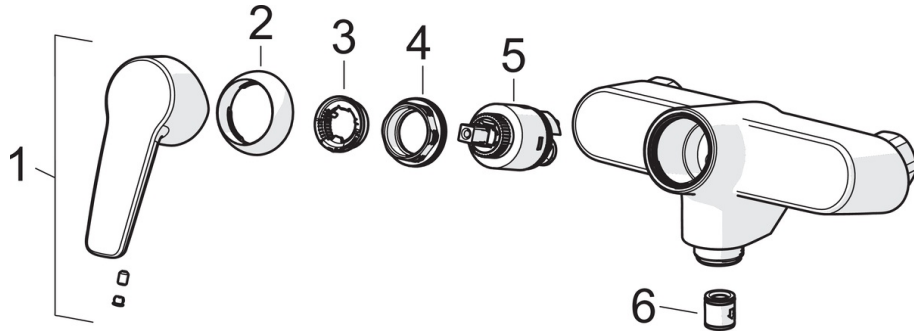
Hot water supply	max. +80°C
Working pressure	50 - 1000 kPa

Regulations

EN standard	EN 817
Noise class	I (ISO 3822) Oras lab.



Spare parts



SP3970

	Name	Code
01	Lever	1000801V
02	Covering cap	601967V
03	Temperature adjustment limiter	601973V
04	Tightening nut, M40x1, SW30	601968V
05	Cartridge, 3.5 Classic	601969V
06	Non-return valve	601989V