

EAN: 6414150079290

www.oras.com/en/products/oras/product/3988



Concealed bath and shower faucet, cover part including function unit for Oras Bluebox 2080. There are also in-built limitation options for water temperature and maximum flow-rate.

- Bathroom, Shower
- Single-lever, Trim Kit
- Concealed wall mounting
- Chrome
- Single operating lever/handle, Hot/Cold symbols
- Turn operated diverter
- Limitation option for maximum temperature and flow-rate
- \varnothing 35 mm ceramic cartridge for flow and temperature control
- Squarewallrosette
- Cover part including function unit for Oras Bluebox 2080/2081.

Technical data

Flow properties

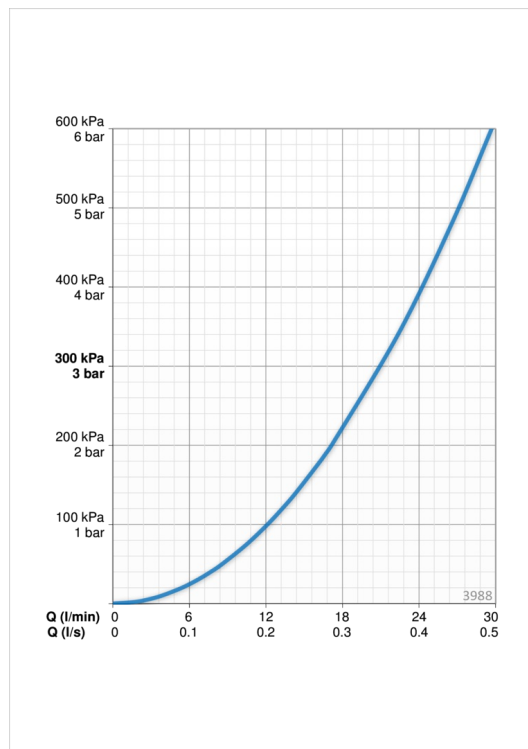
Flow-rate at 300 kPa **0.35 / 0.35 l/s**

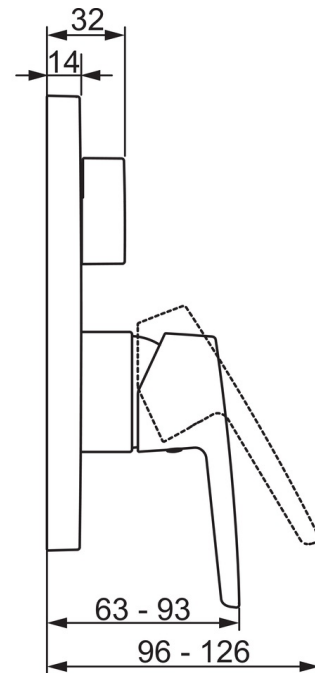
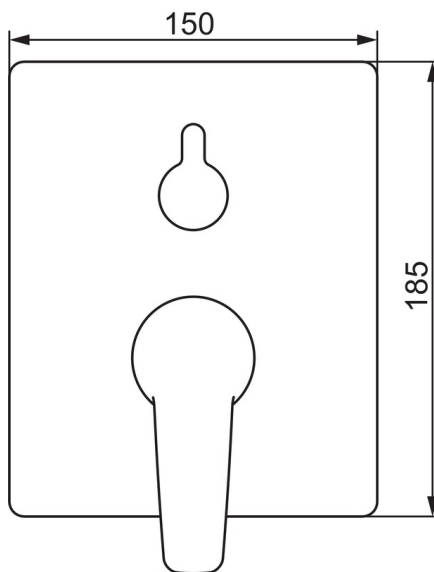
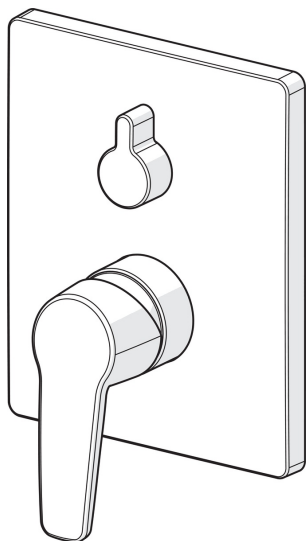
Technical properties

Hot water supply **max. +80°C**
 Working pressure **50 - 1000 kPa**

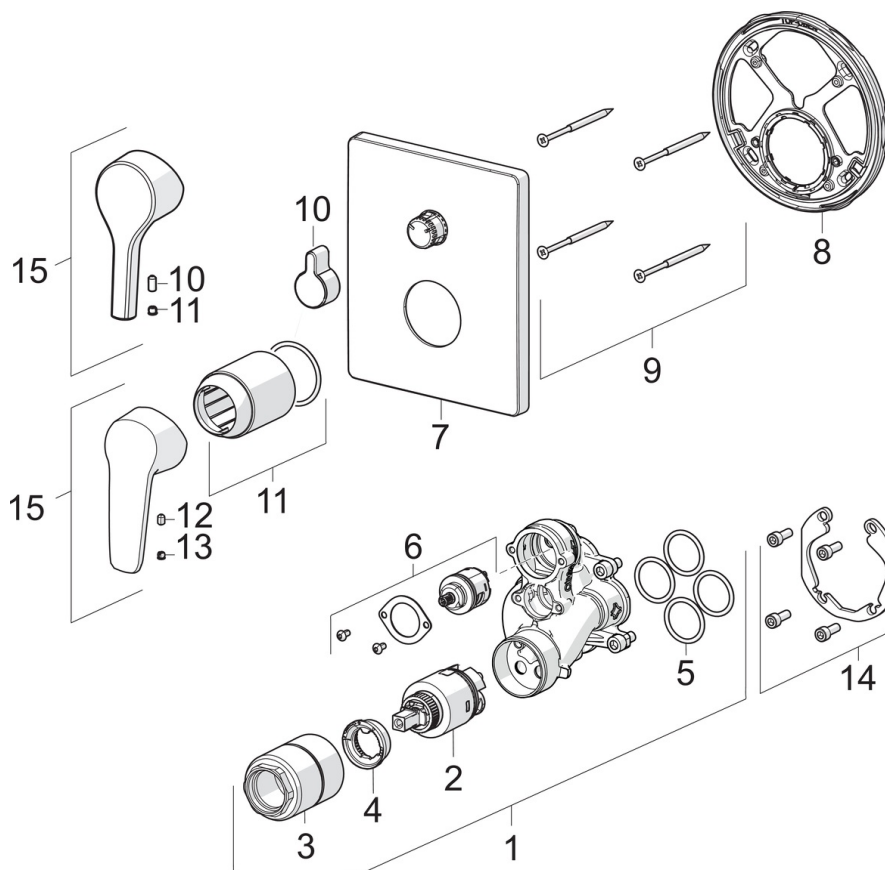
Regulations

EN standard **EN 817**





Spare parts



SP3988

Name	Code
01 Functional unit, 3,5	602661V
02 Cartridge	601969V
03 Screw sleeve, M38x1	602657V
04 Temperature adjustment limiter	601973V
05 O-ring, 23.47x2.62	602649V
06 Diverter/Cartridge	198282V
07 Cover flange	602662V
08 Fixing part	602655V
09 Screw, M4.5x80	602652V
10 Diverter knob	602014V
11 Covering cap	601990V
12 Screw, M5x8, SW2,5	602659V
13 Symbol plug Grey	602660V
14 Installation kit	602646V
15 Lever	1000801V
15 Lever	1005671V
N.I. Adapter	602643V
N.I. Raising kit, 15 mm	602642V