

EAN: 6414150080661
static.oras.com/530-11



Oras Apollo shower set ECO including hand shower with limescale protection technology, 650 mm shower rail, soap tray and 1500 mm shower hose. Water consumption limited to 7 l/min.

- Shower solutions
- Wall mounted
- White
- Hand shower, Shower rail, Adjustable shower rail bracket, Soap dish, Shower hose (1500 mm)

Technical data

Flow properties

Flow-rate at 300 kPa (with flow controller) **0.11 l/s**

Technical properties

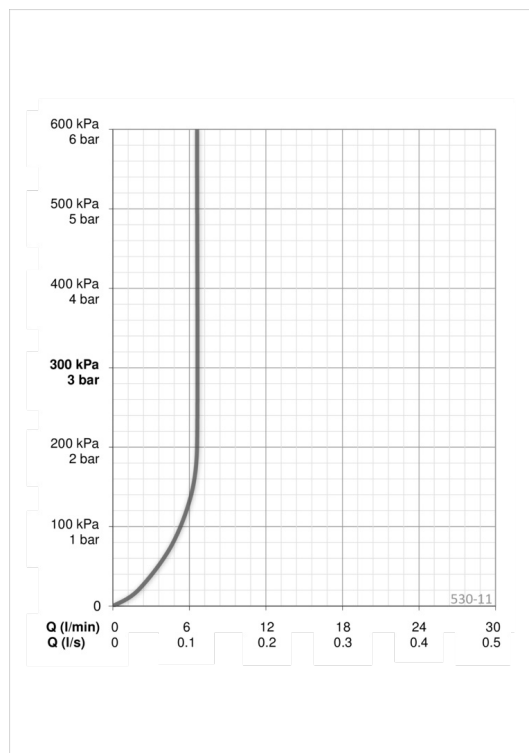
Hot water supply **max. +65°C**
 Working pressure **50 - 500 kPa**
 Connection size **G1/2**
 Length / Height **650 mm**

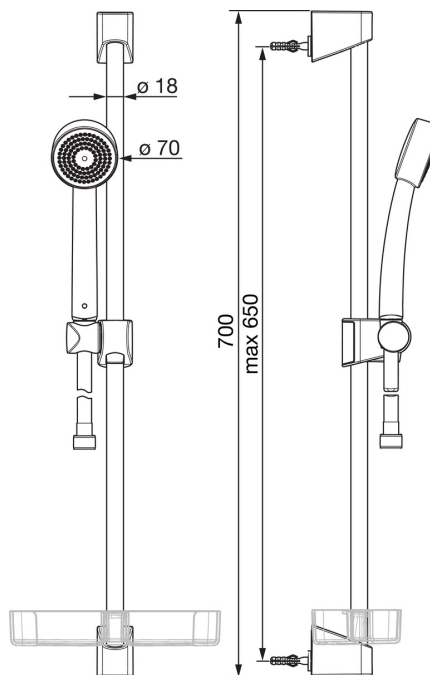
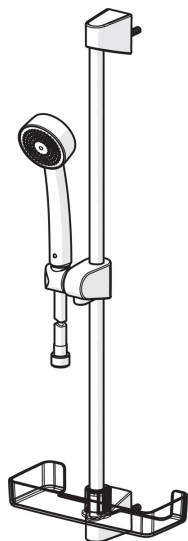
Regulations

EN standard **EN 1112, EN 1113**

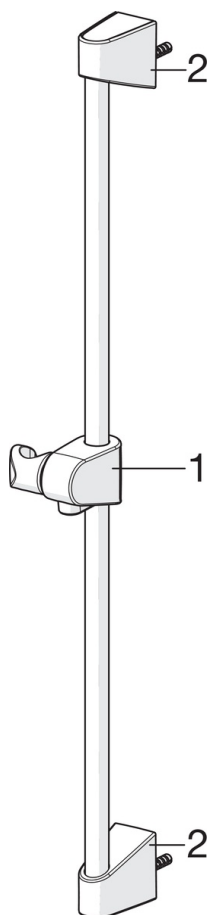


Mer information om bedömningen finns i Byggsäkerhetsbedömningens Webbtjänst.





Spare parts



SP520

	Name	Code
01	Slide for shower rail	601189V
01	Slide for shower rail White	601189V-11
02	Wall bracket	601208V
02	Wall bracket White	601208V-11
03	Shower hose, L=1500	241014
04	Hand shower	252020