

EAN: 6414150080135

[www.oras.com/en/products/oras/product/5520F](http://www.oras.com/en/products/oras/product/5520F)



Touchless washbasin faucet to pre-mixed or cold water developed especially to healthcare use. Autofocus sensor with Bluetooth connection enables easy monitoring and adjustments. Laminar flow (6 l/min). The faucet is equipped with a litter filter and a special flexible connection hose with an integrated non-return valve.

Mains operated 9 V or 12 V. Electrical connection 9 V with a plug transformer or 12 V via a separate transformer. Power alternatives are not included to product.

- Health & Care
- Touchless, Bluetooth®, External transformer
- Deck mounted
- Chrome
- Fixed spout
- Laminar - crystal clear stream, HONEYCOMB® - improved lime protection
- Litter filter(s), Non-return valve(s)
- Autofocus infrared sensor, Impulse-controlled solenoid valve, Low battery indicator
- body made of DZR brass, Adjustable settings via app, waterways without nickel coating, surfaces in contact with drinking water contain less than 0.3% lead
- WithoutTransformer

## Technical data

### Flow properties

Flow-rate at 300 kPa (with flow controller)	<b>0.1 l/s</b>
Pressure loss with flow (0.1 l/s)	<b>200 kPa</b>

### Technical properties

Hot water supply	<b>max. +70°C</b>
Working pressure	<b>100 - 1000 kPa</b>
Connection size	<b>G3/8</b>
Projection	<b>117 mm</b>
Material	<b>Brass</b>

### Software settings

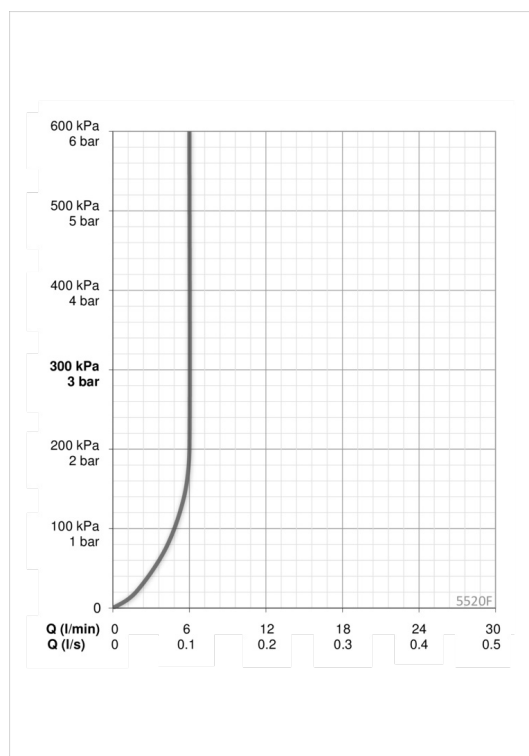
Afterflow period	<b>3 s (1-20 s)</b>
Automatic flush	<b>off (off/1-120 h)</b>
Automatic flush period	<b>30 s (1-1800 s)</b>
Max. flow period	<b>2 min (1 - 1800 s)</b>

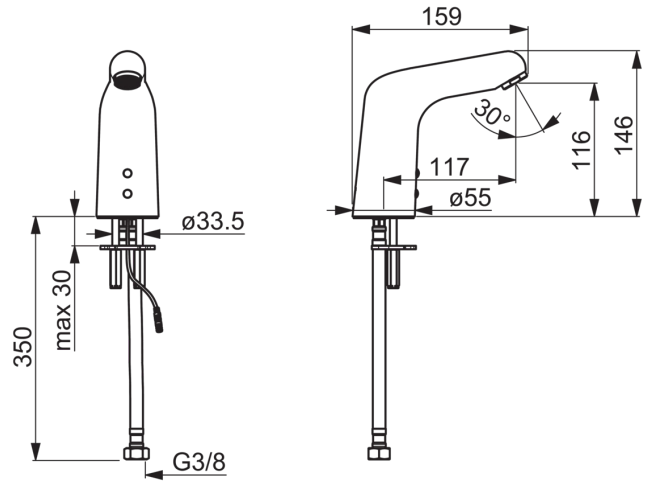
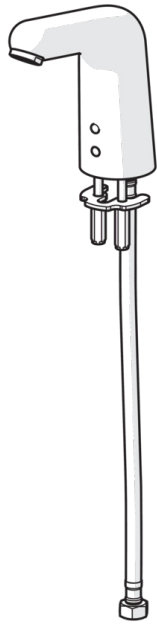
### Electronic properties

Electrical Connection	<b>9 / 12 V</b>
Bluetooth version	<b>4.x</b>

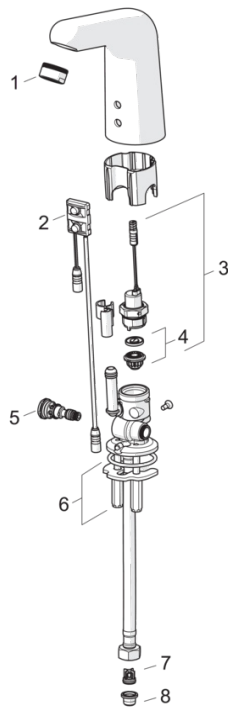
### Regulations

EMC Directive	<b>CE 2014/30/EU</b>
EN standard	<b>EN 15091</b>
Noise class	<b>I (ISO 3822) Oras lab.</b>
Protection class	<b>IP 55</b>





## Spare parts



### SP5520F

Name	Code
01 Aerator, M24x1 HC-STD , 6 l/min, Laminar	602670V
02 Sensor, 6/9/12 V Bluetooth	1001424V
03 Solenoid valve	199206V
04 Membrane support ring	199205V
05 Temperature regulator	199201V
06 Fixing plates with nuts	158697
07 Non-return valve	601077V
08 Litter filters	199257/2