

EAN: 6414150080203
static.oras.com/5551F



Touchless washbasin faucet developed especially to healthcare use with a temperature adjustment handle. Autofocus sensor with Bluetooth connection enables easy monitoring and adjustments. Laminar flow (6 l/min). The faucet is equipped with litter filters and special flexible connection hoses with integrated non-return valves.

Battery operated 6 V.

- HealthCare
- Touchless, Battery-operated, Bluetooth®
- Deck mounted
- Chrome
- Fixed spout
- Laminar stream
- Temperature control handle
- Adjustable hot water stop (included, retrofittable)
- Litter filter(s), Mixing valve for manual temperature control, Non-return valve(s)
- Autofocus infrared sensor, Solenoid valve, Low battery indicator
- Flexible inlet pipes, Special coating for hygienic premises
- Inner body made of DZR brass, Software settings adjustable via App, Waterways without nickel coating, Surfaces in contact with drinking water contain less than 0.3% lead

Technical data

Flow properties

Flow-rate at 300 kPa (with flow controller)	0.1 l/s
Pressure loss with flow (0.1 l/s)	200 kPa

Technical properties

Hot water supply	max. +70°C
Working pressure	100 - 1000 kPa
Connection size	G3/8
Projection	117 mm

Software settings

Afterflow period	3 s (1-20 s)
Automatic flush	off (off/1-120 h)
Automatic flush period	30 s (1-1800 s)
Max. flow period	2 min (1 - 1800 s)

Electronic properties

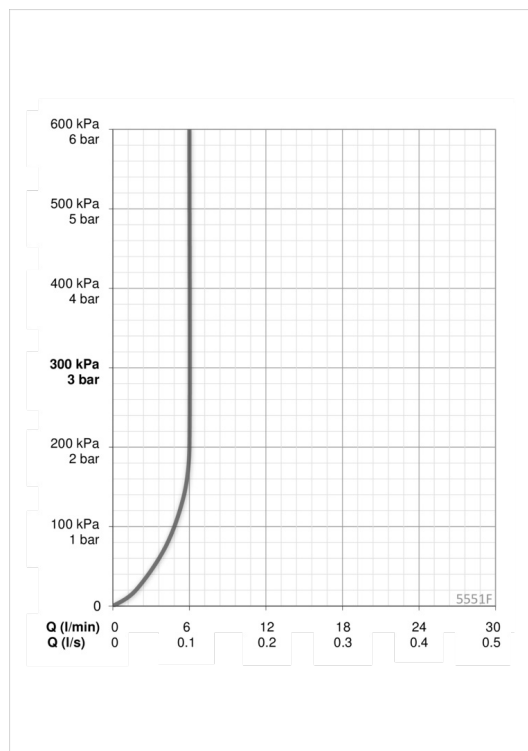
Battery	Lithium 2CR5 6 V
Bluetooth version	4.x

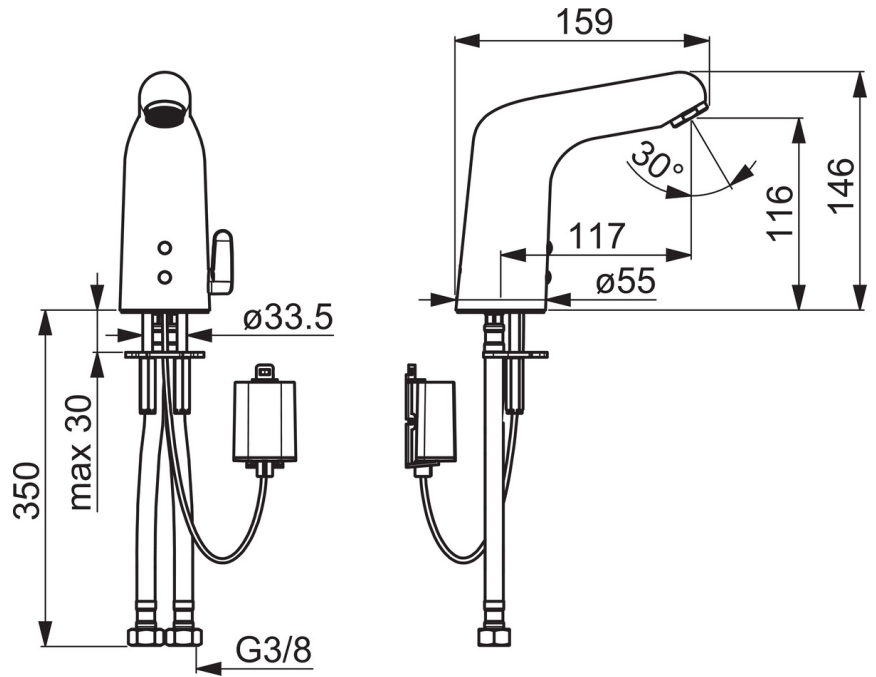
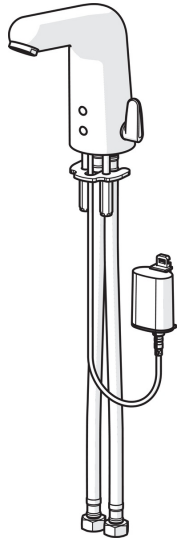
Regulations

EMC Directive	C E 2014/53/EU
EN standard	EN 15091
Noise class	I (ISO 3822) Oras lab.
Protection class	IP 55

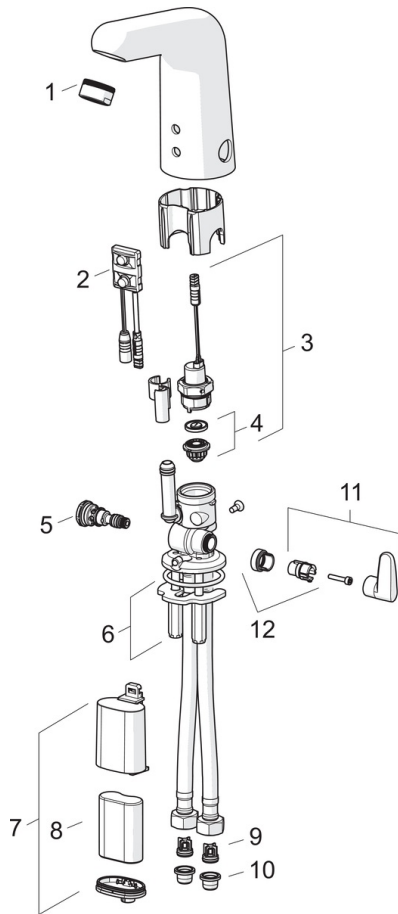
Approvals and Declarations

KIWA SE	1589
UN38.3	BP 0001-3





Spare parts



SP5551F

Name	Code
01 Aerator, M24x1 HC-STD , 6 l/min, Laminar	602670V
02 Sensor, 6/9/12 V Bluetooth	1001424V
03 Solenoid valve	199206V
04 Membrane support ring	199205V
05 Temperature regulator, lead-free	1000539V
06 Fixing plates with nuts	158697
07 Battery casing	199438V
08 Lithium battery, 2CR5 6 V	198330
09 Non-return valve	601077V
10 Litter filters	199257/2
11 Temperature control handle	1002424V
12 Limiter	601061V