

EAN: 6414150080173

www.oras.com/en/products/oras/product/5552F



XL touchless washbasin faucet to pre-mixed or cold water developed especially to healthcare use. Autofocus sensor with Bluetooth connection enables easy monitoring and adjustments. Laminar flow (6 l/min). The faucet is equipped with a litter filter and a special flexible connection hose with an integrated non-return valve. Battery operated 6 V.

- Health & Care
- Touchless, Battery-operated, Bluetooth®
- Deck mounted
- Chrome
- Fixed spout
- Laminar - crystal clear stream, HONEYCOMB® - improved lime protection
- Litter filter(s), Non-return valve(s)
- Autofocus infrared sensor, Solenoid valve, Low battery indicator
- Body made of DZR brass, Adjustable settings via app, Waterways without nickel coating, Surfaces in contact with drinking water contain less than 0.3% lead

Technical data

Flow properties

Flow-rate at 300 kPa (with flow controller)	0.1 l/s
Pressure loss with flow (0.1 l/s)	200 kPa

Technical properties

Hot water supply	max. +70°C
Working pressure	100 - 1000 kPa
Connection size	G3/8
Projection	136 mm

Software settings

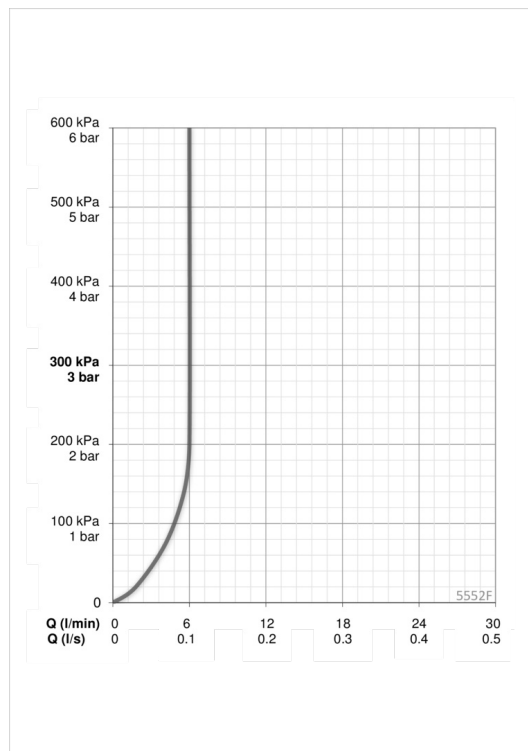
Afterflow period	3 s (1-20 s)
Automatic flush	off (off/1-120 h)
Automatic flush period	30 s (1-1800 s)
Max. flow period	2 min (1 - 1800 s)

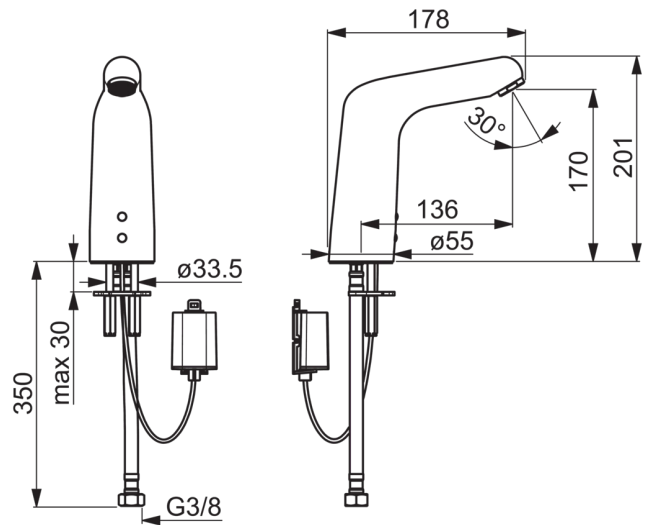
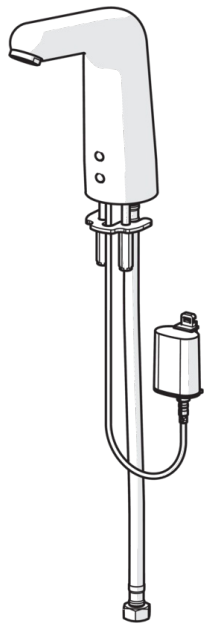
Electronic properties

Battery	Lithium 2CR5 6 V
Bluetooth version	4.x

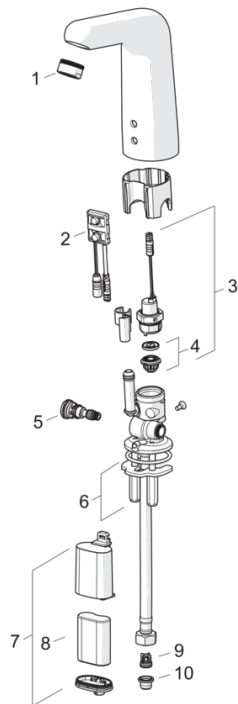
Regulations

EMC Directive	CE 2014/30/EU
EN standard	EN 15091
Noise class	I (ISO 3822) Oras lab.
Protection class	IP 55





Spare parts



SP552F

	Name	Code
01	Aerator, M24x1 HC-STD , 6 l/min, Laminar	602670V
02	Sensor, 6/9/12 V Bluetooth	1001424V
03	Solenoid valve	199206V
04	Membrane support ring	199205V
05	Temperature regulator	199201V
06	Fixing plates with nuts	158697
07	Battery casing	199438V
08	Lithium battery, 2CR5 6 V	198330
09	Non-return valve	601077V
10	Litter filters	199257/2