



Thermostatic shower faucet with ergonomic flow handles. Temperature handle equipped with safety stop at 38°C. Volume handle with EcoFlow control. The faucet is equipped with cover plates (triple sealed) and thermal disinfection. The faucet includes litter filters and non-return valves.

- Shower solutions
- Health & Care
- Thermostatic
- Wall mounted
- Chrome
- Temperature control handle, Flow control handle, Eco feature for water flow
- The housing of the fittings conducts minimal heat
- Ceramic head part for flow control, Thermostatic cartridge for automatic temperature control, Non-return valve(s), Litter filter(s)
- Direct connection, Cover plate(s), Cover plate triple sealed
- Inner body made of DZR brass, Waterways without nickel coating, Thermal disinfection without cartridge readjustment
- Without Couplings
- Safety lock against scalding 38°C (36°-44°)

Technical data

Flow properties

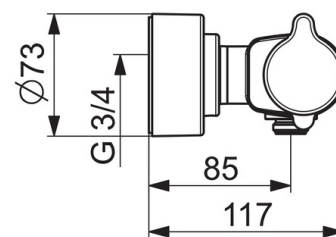
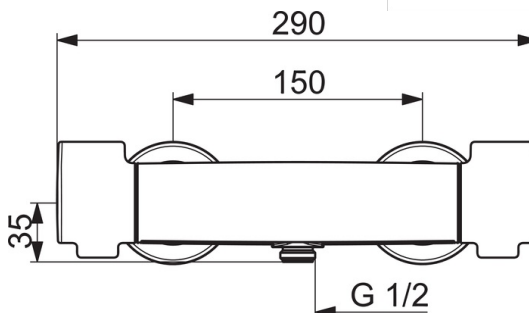
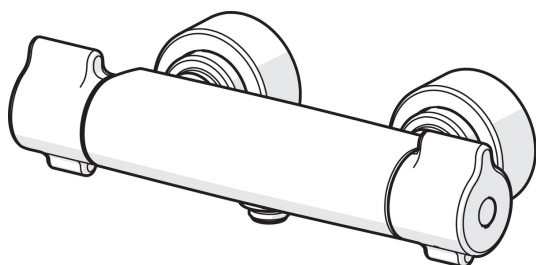
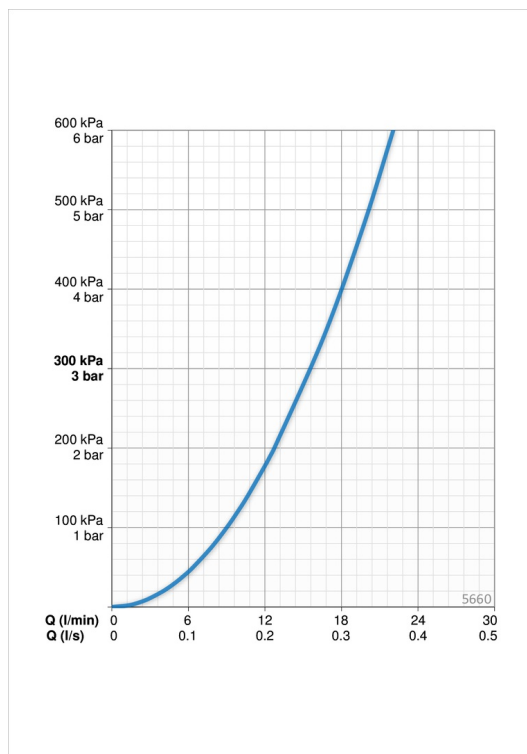
Flow-rate at 300 kPa **0.26 l/s**

Technical properties

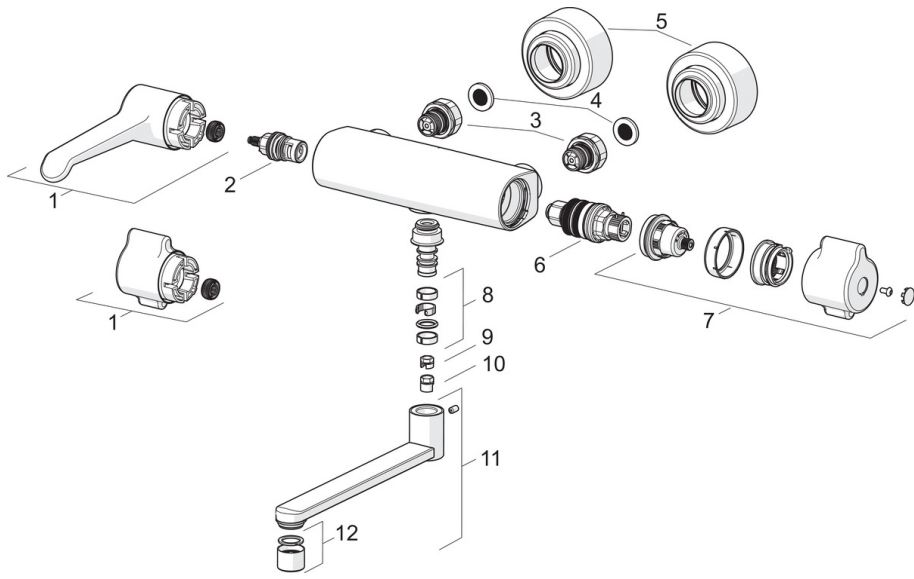
Hot water supply **max. +80°C**
 Working pressure **100 - 1000 kPa**
 Connection size **G3/4**
 Installation width **CC150± 3 mm**
 Material **Brass**

Regulations

EN standard **EN 1111**
 Noise class **I (ISO 3822)**
 Noise class 0.2 l/s **I (ISO 3822)**



Spare parts



SP5663

| | Name | Code |
|----|-------------------------------------|----------|
| 01 | Flow control handle, L=150 mm | 1004311V |
| 01 | Flow control handle | 1006423V |
| 02 | Headpart | 109898 |
| 03 | Combiner | 602438/2 |
| 04 | Filter sealing, G3/4, DN20 | 178375V |
| 05 | Cover flange | 1006473V |
| 06 | Thermostatic cartridge | 178780V |
| 07 | Temperature control handle | 1006058V |
| 08 | Sealing kit for spout | 602707V |
| 09 | Limiter, 120° | 602499V |
| 10 | Spout overturning stopper, 60° / 0° | 159667V |
| 11 | Spout, L=200 | 1001457V |
| 12 | Aerator, M22x1 STD PL HC A Laminar | 1003610V |