

EAN: 6414150091339  
[static.oras.com/5664](http://static.oras.com/5664)



- Shower solutions
- Health & Care
- Thermostatic
- Wall mounted
- Chrome
- Temperature control handle, Flow control handle, Eco feature for water flow
- The housing of the fittings conducts minimal heat
- Ceramic head part for flow control, Thermostatic cartridge for automatic temperature control, Non-return valve(s)
- Direct connection, Cover plate triple sealed
- Inner body made of DZR brass, Waterways without nickel coating
- WithoutCouplings
- Safety lock against scalding 38°C (36°-44°)

## Technical data

### Flow properties

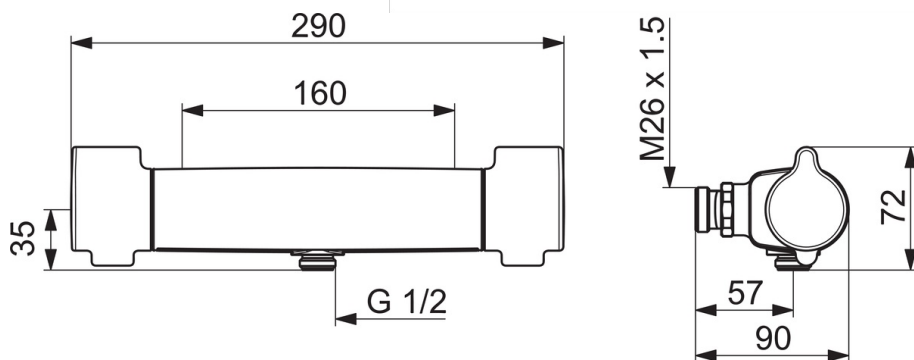
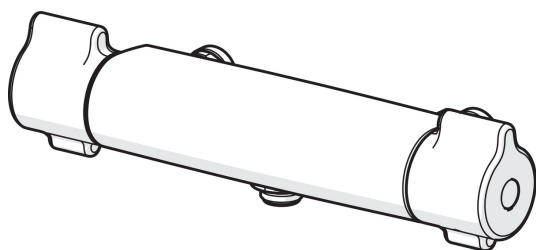
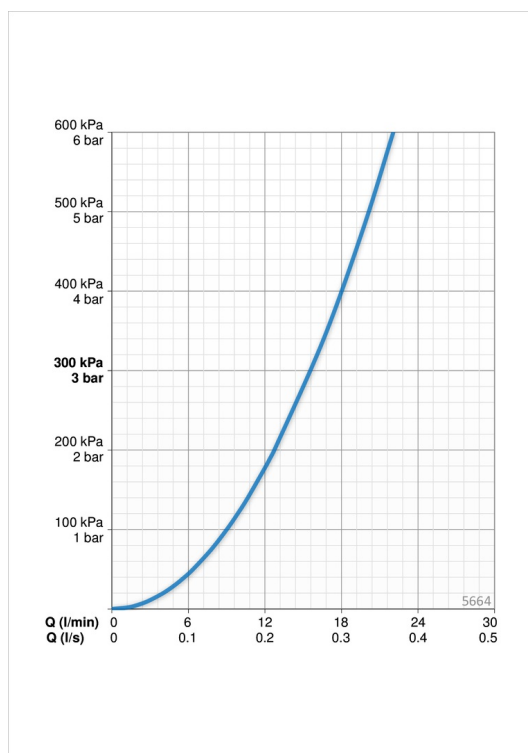
Flow-rate at 300 kPa **0.26 l/s**

### Technical properties

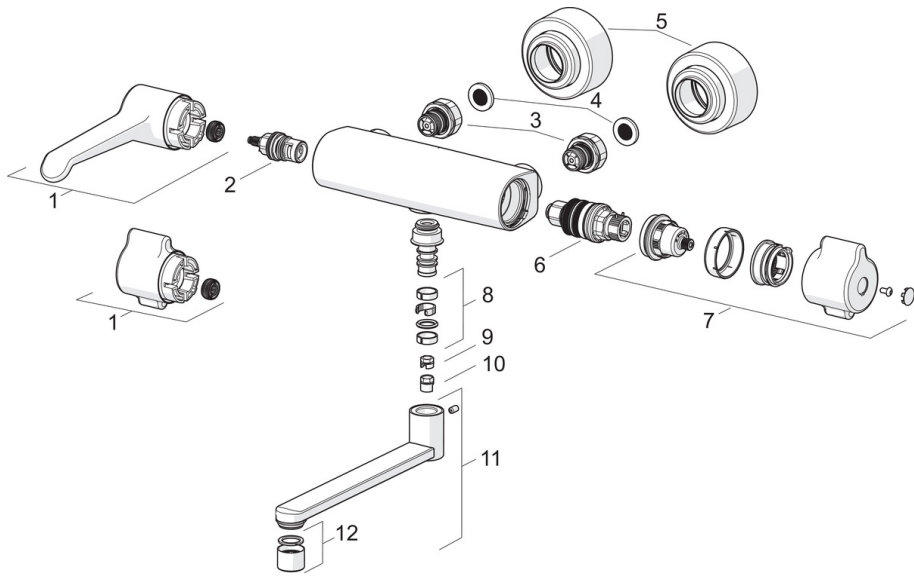
Hot water supply **max. +80°C**  
 Working pressure **100 - 1000 kPa**  
 Connection size **M26x1.5**  
 Installation width **CC160**  
 Material **Brass**

### Regulations

EN standard **EN 1111**  
 Noise class **I (ISO 3822)**  
 Noise class 0.2 l/s **I (ISO 3822)**



## Spare parts



### SP5663

	<b>Name</b>	<b>Code</b>
01	Flow control handle, L=150 mm	1004311V
01	Flow control handle	1006423V
02	Headpart	109898
03	Combiner	602438/2
04	Filter sealing, G3/4, DN20	178375V
05	Cover flange	1006473V
06	Thermostatic cartridge	178780V
07	Temperature control handle	1006058V
08	Sealing kit for spout	602707V
09	Limiter, 120°	602499V
10	Spout overturning stopper, 60°/0°	159667V
11	Spout, L=200	1001457V
12	Aerator, M22x1 STD PL HC A Laminar	1003610V