



- Health & Care
- Thermostatic, Touchless, Bluetooth®, Battery-operated
- Wall mounted
- Chrome
- Temperature control handle
- The housing of the fittings conducts minimal heat
- Thermostatic cartridge for automatic temperature control, Non-return valve(s), Litter filter(s)
- Autofocus infrared sensor, Solenoid valve, Low battery indicator
- Eccentric coupling(s), Cover plate(s), with integrated shut-off valve(s), Silencer(s), Cover plate triple sealed
- Inner body made of DZR brass, Waterways without nickel coating, Thermal disinfection without cartridge readjustment, Software settings adjustable via App
- Safety lock against scalding 38°C (36°-44°)

## Technical data

### Flow properties

Flow-rate at 300 kPa **0.2 l/s**

### Technical properties

Hot water supply **max. +70°C**  
 Working pressure **100 - 1000 kPa**  
 Connection size **G1/2**  
 Installation width **CC150± 10 mm**  
 Material **Brass**

### Software settings

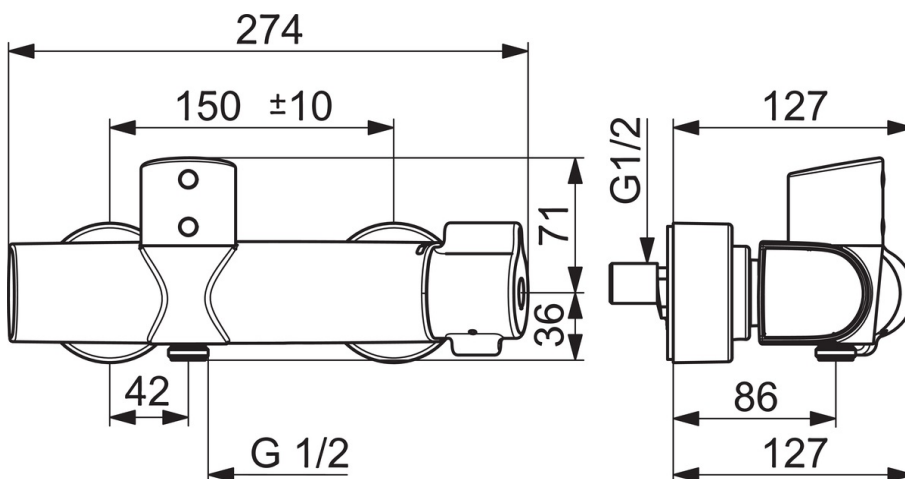
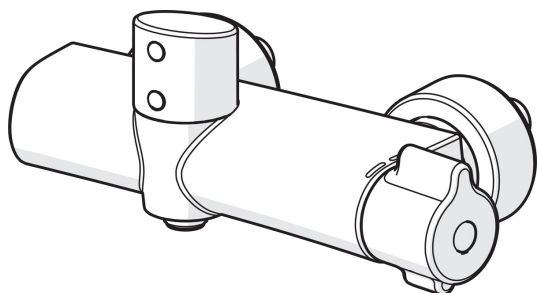
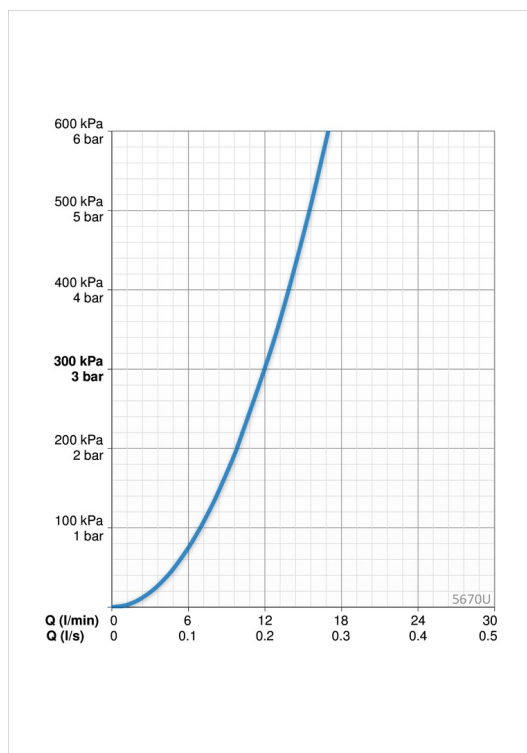
Afterflow period **5 s (1-20 s)**  
 Automatic flush **off (off/1-120 h)**  
 Automatic flush period **30 s (1-1800 s)**  
 Max. flow period **5 min (1 - 1800 s)**

### Electronic properties

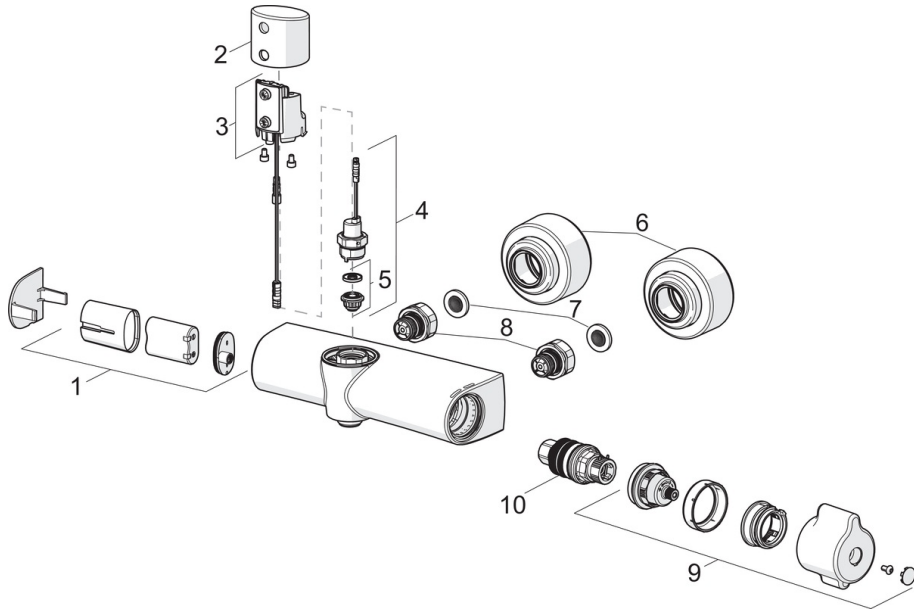
Battery **Lithium 2CR5 6 V**  
 Bluetooth version **4.x**

### Regulations

EMC Directive **C E 2014/53/EU**  
 EN standard **EN 1111, EN 15091**  
 Noise class **I (ISO 3822)**  
 Noise class 0.2 l/s **I (ISO 3822)**  
 Protection class **IP 55**



## Spare parts



### SP5670U

	<b>Name</b>	<b>Code</b>
01	Battery casing	199438V
02	Sensor holder	1006102V
03	Sensor, 6/9/12 V Bluetooth	1008025V
04	Solenoid valve, 3 V	1006792V
05	Membrane	199240V
06	Cover flange	1006473V
07	Filter sealing, G3/4, DN20	178375V
08	Combiner	602438/2
09	Temperature control handle	1006058V
10	Thermostatic cartridge	178780V