

EAN: 6414150087875

www.oras.com/en/products/oras/product/5715F



Oras Care washbasin faucet. Ergonomic lever offers good usability to all users and situations. Swivel spout 120° (can be limited to 40°-80°). In-built limitation options for water temperature and maximum flow-rate. Flexible connection pipes G3/8".

- Health & Care
- Single lever, top operated
- Deck mounted
- Chrome
- Swivel spout, Swivel range limiting option
- PCA® - constant flow rate regardless of pressure variations, CASCADE® - aerated stream, HONEYCOMB® - improved lime protection
- Long design, Single operating lever/handle, Hot/Cold symbols
- Limitation option for maximum temperature and flow-rate
- 40 mm ceramic cartridge for flow and temperature control
- Flexible inlet pipes
- Body made of DZR brass, 3S-installation system for safe and simple mounting

Technical data

Flow properties

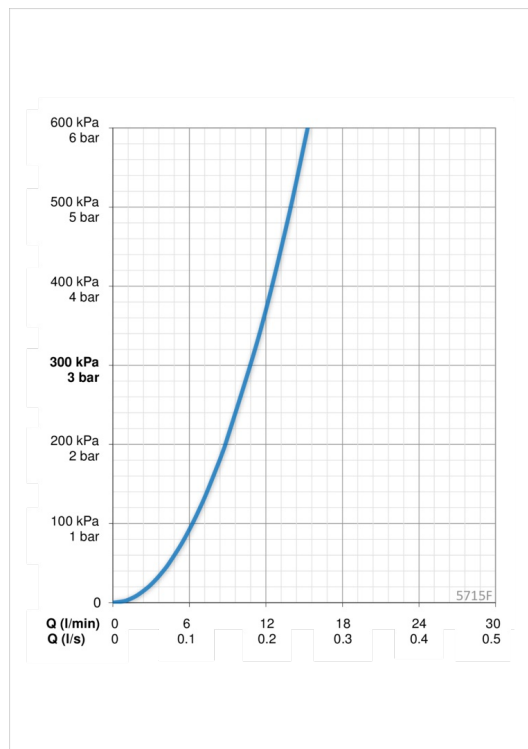
Flow-rate at 300 kPa	0.18 l/s
Pressure loss with flow (0.1 l/s)	95 kPa

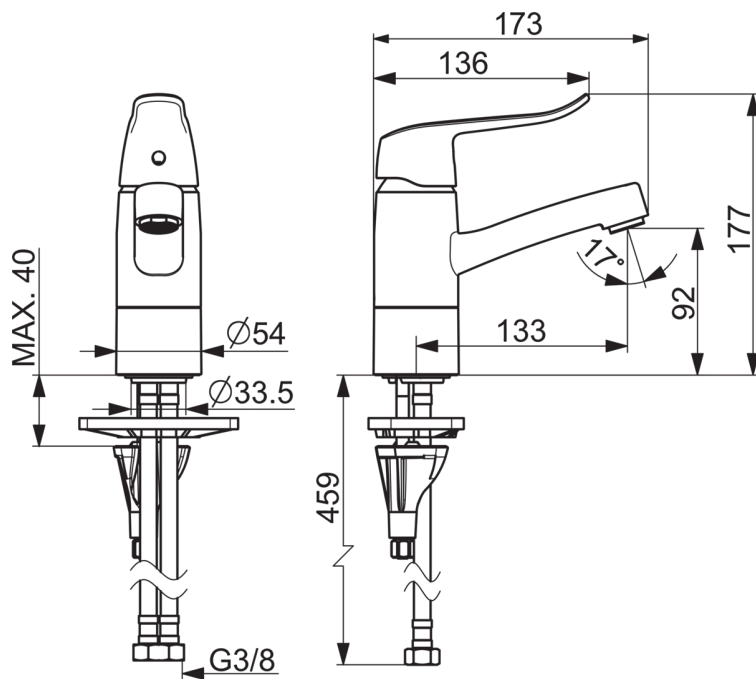
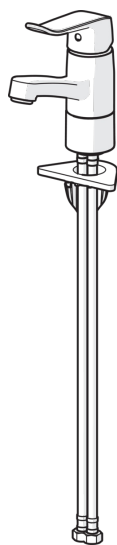
Technical properties

Hot water supply	max. +80°C
Working pressure	50 - 1000 kPa
Connection size	G3/8
Projection	133 mm
Material	Brass

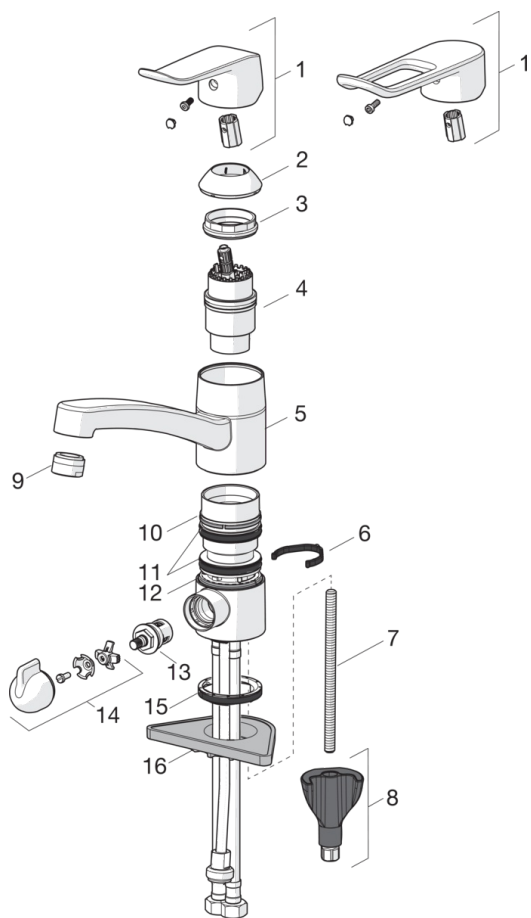
Regulations

EN standard	EN 817
Noise class	I (ISO 3822)





Spare parts



SP5735F

	Name	Code
01	Long lever, L=162	1004914V
01	Lever, L=136	1005294V
02	Covering cap	602589V
03	Tightening nut	158726
04	Cartridge	158890
05	Spout, L=132	602520V
05	Spout, L=210	1005585V
06	Spout overturning stopper, 40°- 80°	1002207/10
06	Spout overturning stopper, 120°	1001406/10
07	Fixing screw, M8x1, L=130	1000780V
08	Fixing set	602610V
09	Aerator, M24x1 STD HC B	232210
09	Aerator, M24 x 1 STD HC A	232211
10	Bearing ring	601097/10
11	X-sealing set	158735
12	Bearing ring	159423/10
13	Headpart, G1/2	602600V
14	Handle for washing machine valve	1005697V
15	Bottom seal	1002371V
16	Supporting plate, 100x60mm	158825