

EAN: 6414150091315  
[static.oras.com/5762G](http://static.oras.com/5762G)



Thermostatic shower faucet with spout and ergonomic drop shape handles. Temperature handle equipped with safety stop at 38°C. Volume handle with diverter and EcoFlow control. The faucet is equipped with cover plates (triple sealed). The faucet includes litter filters and non-return valves.

- Shower solutions
- Health & Care
- Thermostatic
- Wall mounted
- Chrome
- Fixed spout
- Standard aerator
- Temperature control handle, Flow control handle, Eco feature for water flow
- Turn operated diverter, Integrated into flow control handle
- Ceramic head part for flow control, Thermostatic cartridge for automatic temperature control, Non-return valve(s), Litter filter(s)
- Cover plate(s), Cover plate triple sealed
- Inner body made of DZR brass
- Without Couplings
- Retrofit safety lock against scalding. Limiter adjustable between 38°-42°C during mounting.

## Technical data

### Flow properties

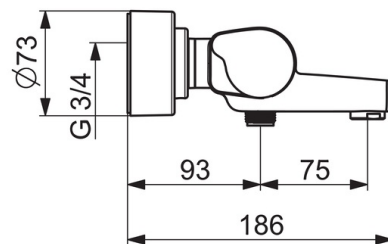
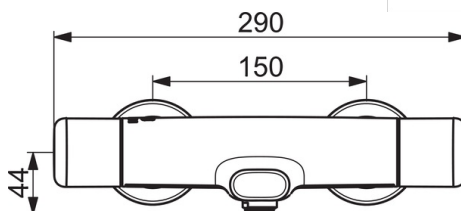
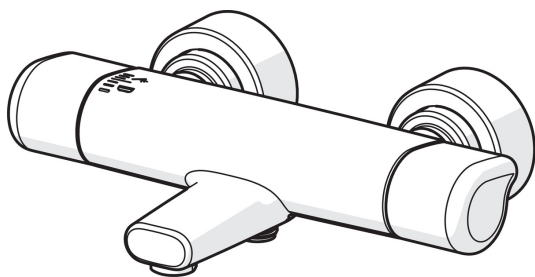
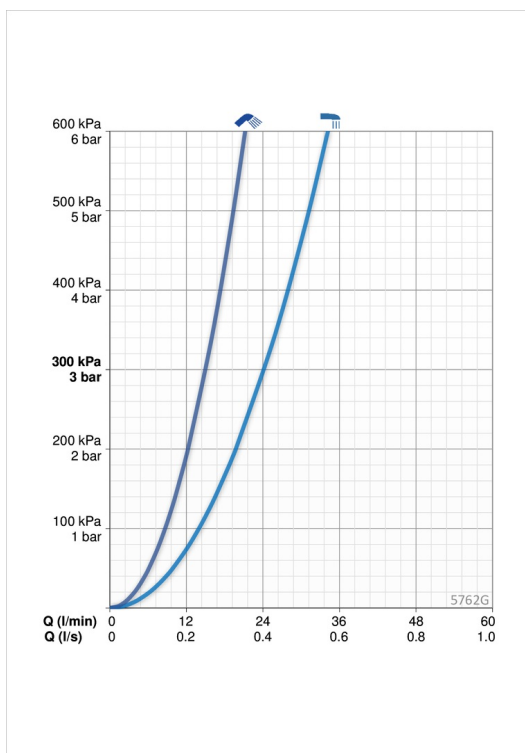
Flow-rate at 300 kPa **0.403 / 0.25 l/s**

### Technical properties

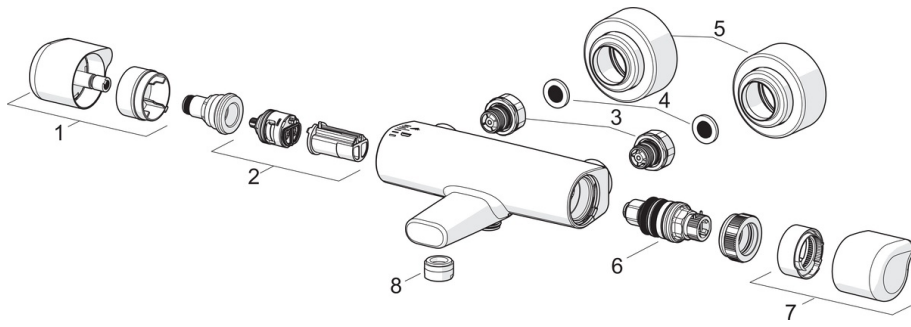
Hot water supply **max. +80°C**  
 Working pressure **100 - 1000 kPa**  
 Connection size **G3/4**  
 Installation width **CC150± 3 mm**  
 Projection **168 mm**  
 Material **Brass**

### Regulations

EN standard **EN 1111**  
 Noise class **I (ISO 3822)**



## Spare parts



### SP5762G

	<b>Name</b>	<b>Code</b>
01	Flow control handle	1006584V
02	Diverter and cartridge	601278V
03	Combiner	602438/2
04	Filter sealing, G3/4, DN20	178375V
05	Cover flange	1006473V
06	Thermostatic cartridge	178780V
07	Temperature control handle	1005875V
08	Aerator, M24x1 uk	600654V