

EAN: 4007536245246

www.oras.com/en/products/oras/product/6111



Low pressure model. Adapter plug 230 V. Oras 6111 is equipped with a flow controller at 0.1 l/s and a separate litter filter. Factory preset values for the recognition range and afterflow period can be adjusted later. If the photocell is covered for more than 2 minutes, the faucet shuts off automatically. Height of spout 160 mm.

Oras Data Terminal can be used to set parameters, collect data and carry out a variety of servicing operations.

- Bathroom
- Touchless, External transformer, Low pressure
- Deck mounted
- Chrome
- Fixed spout
- CASCADE® - aerated stream
- Temperature control handle
- Litter filter(s)
- Infrared sensor
- Reinforced version

Technical data

Flow properties

Flow-rate at 300 kPa (with flow controller) **0.11 l/s**

Technical properties

Hot water supply **max. +70°C**
Working pressure **100 - 500 kPa**

Software settings

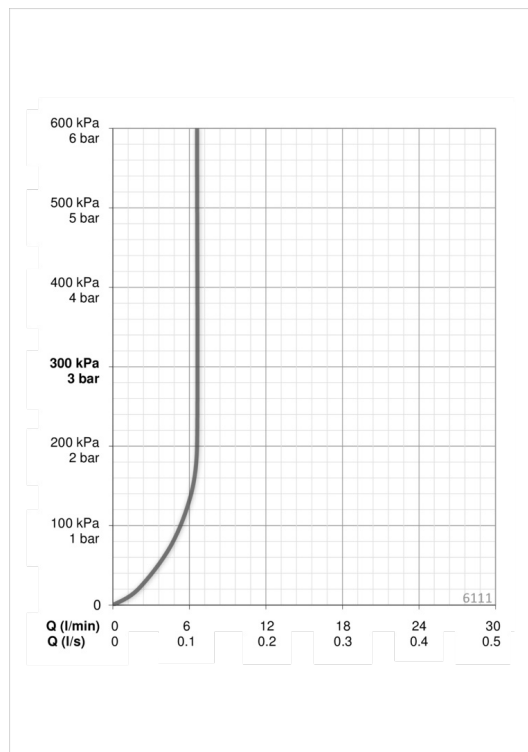
Afterflow period **1 s (0-255 s)**
Max. flow period **2 min (1 - 255 s)**

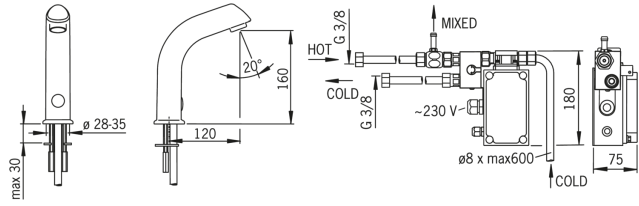
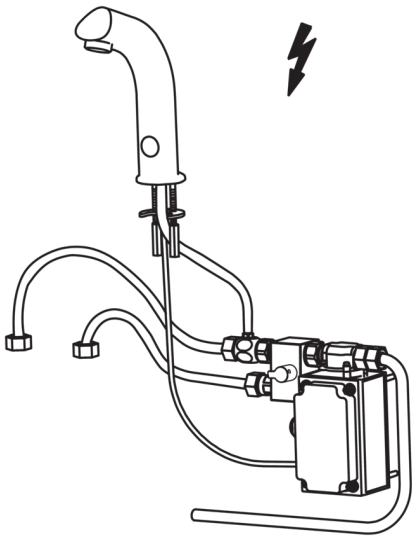
Electronic properties

Electrical Connection **230 VAC**

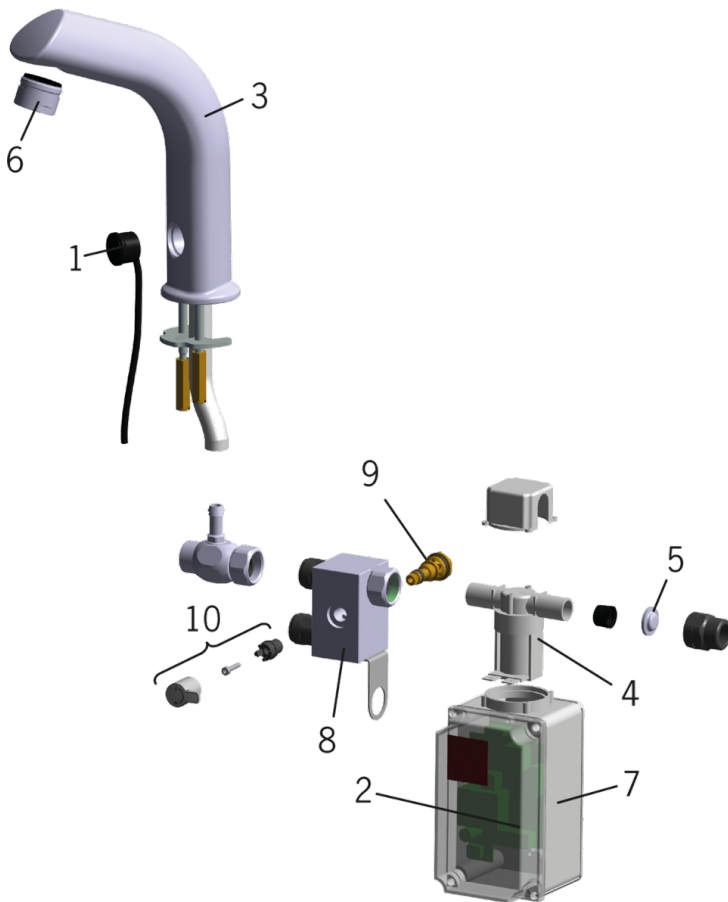
Regulations

EMC Directive **CE 89/336/EEC**
EN standard **EN 15091**
Noise class **I (ISO 3822)**
Protection class **IP 40**





Spare parts



SP6111

	Name	Code
01	Photocell	198081
02	Circuit card, 230 V	198085
03	Spout	199080
04	Solenoid valve	199082
05	Litter filters, DN15	198094/2
06	Water star, M24x1	158556
07	Control unit	199084
08	Mixing valve, low pressure	199083
09	Temperature regulator	199201V
10	Temperature control handle	600493V