

EAN: 6414150071317

www.oras.com/en/products/oras/product/6120F-105

Touchless washbasin faucet with a temperature adjustment handle (as factory default). The faucet can be easily modified for preset temperature or premixed water. The faucet is equipped with litter filters, non-return valves and flexible pipes.

No adjustments are needed at installation because an advanced Autofocus sensor is used. Flow controller (4.2 l/min) enables low water consumption. Flow-rate 4.2 l/min.

Electrical connection 12 V via a separate power supply (e.g. Oras No. 199275).

Fulfills the requirements for efficient use of water in green building."

- Green Building
- Touchless, External transformer, Green Building
- Deck mounted
- Chrome
- CASCADE® - aerated stream
- Temperature control handle
- Non-return valve(s), Litter filter(s)
- Autofocus infrared sensor, Solenoid valve
- Convertible for cold or premixed-water supply



Technical data

Flow properties

Flow-rate at 300 kPa (with flow controller) **0.07 l/s**

Technical properties

Hot water supply **max. +70°C**
 Working pressure **100 - 1000 kPa**
 Connection size **G3/8**
 Projection **96 mm**
 Material **Brass**

Software settings

Afterflow period **2 s ± 1 s**
 Max. flow period **2 min**

Electronic properties

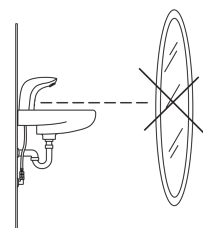
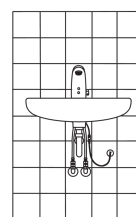
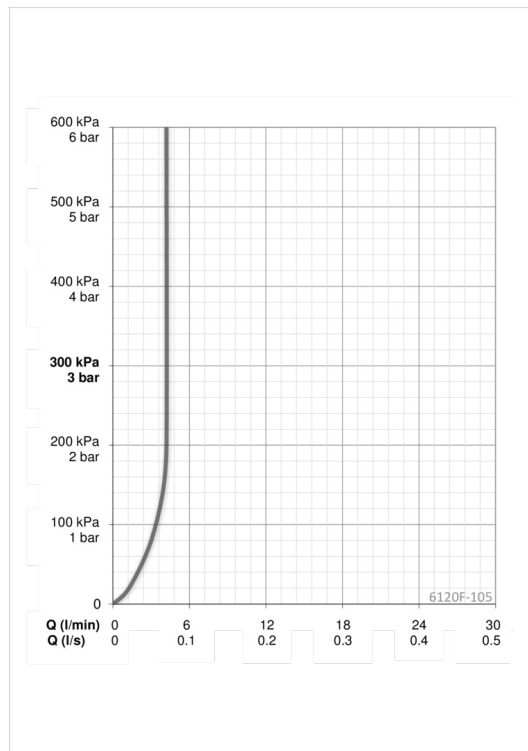
Electrical Connection **12 V**

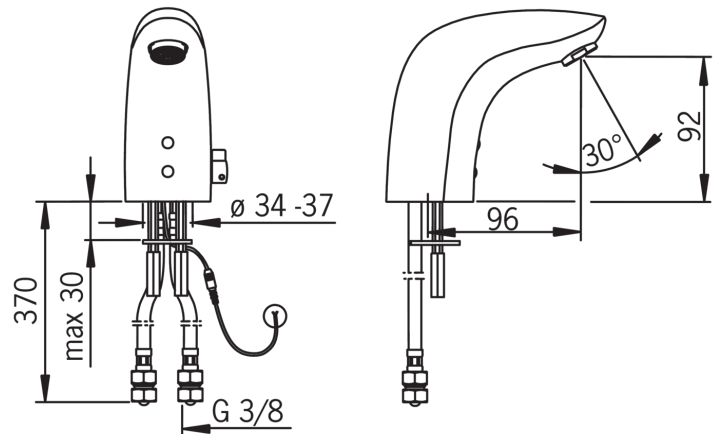
Regulations

EMC Directive **CE 2004/108/EY**
 EN standard **EN 15091**
 Noise class **I (ISO 3822)**
 Protection class **IP 55**

Type approvals

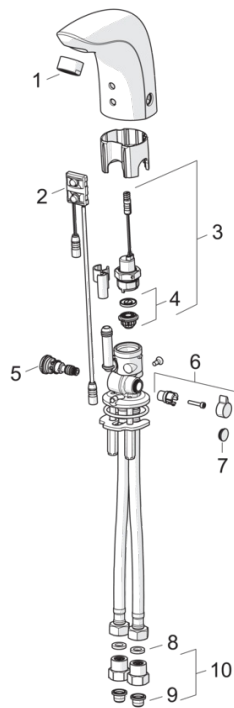
GDV Danmark **04/00229**





Spare parts

SP6120F-105



	Name	Code
01	Aerator, M24x1 , -105	601166V
02	Sensor, 12 V	600082V
03	Solenoid valve	199206V
04	Membrane support ring	199205V
05	Temperature regulator	199201V
06	Temperature control handle, L=15	199212V
07	Mixing plug	199208V
08	Gasket, 8x14.3x2	600705/10
09	Litter filters	199257/2
10	One-way valve with litter screen	198473/2