



- Public & Semi-public, Health & Care
- Touchless, Bluetooth®, Plug transformer
- Deck mounted
- Chrome
- Fixed spout, Casted construction
- PCA® - constant flow rate regardless of pressure variations, Standard aerator
- Temperature control handle, Long shape
- Temperature preset fixable
- Mixing valve for manual temperature control, Non-return valve(s), Litter filter(s)
- Flexible inlet pipes
- Software settings adjustable via App, Convertible for cold or premixed-water supply

## Technical data

### Flow properties

Flow-rate at 300 kPa (with flow controller)	<b>0.1 l/s</b>
Pressure loss with flow (0.1 l/s)	<b>200 kPa</b>

### Technical properties

DN-size (nominal dimension)	<b>DN15</b>
Hot water supply	<b>max. +70°C</b>
Working pressure	<b>50 - 1000 kPa</b>
Connection size	<b>G3/8</b>
Projection	<b>96 mm</b>
Material	<b>Brass</b>

### Software settings

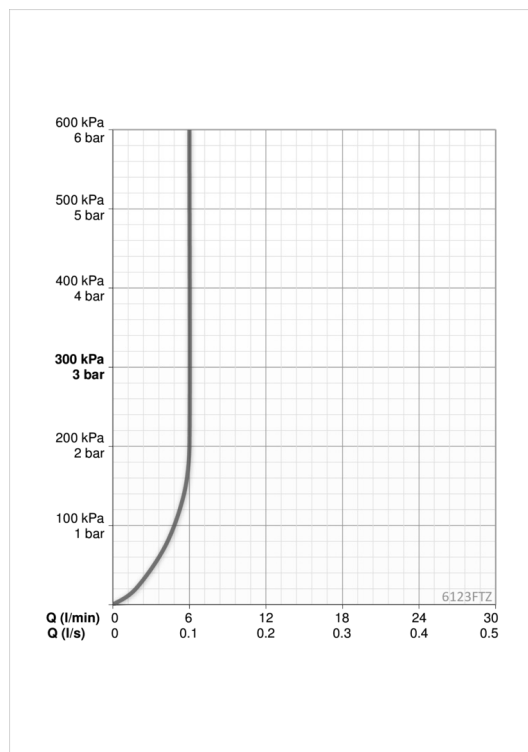
Afterflow period	<b>3 s (1-20 s)</b>
Automatic flush	<b>off (off/1-120 h)</b>
Automatic flush period	<b>30 s (1-1800 s)</b>
Max. flow period	<b>2 min (1 - 1800 s)</b>

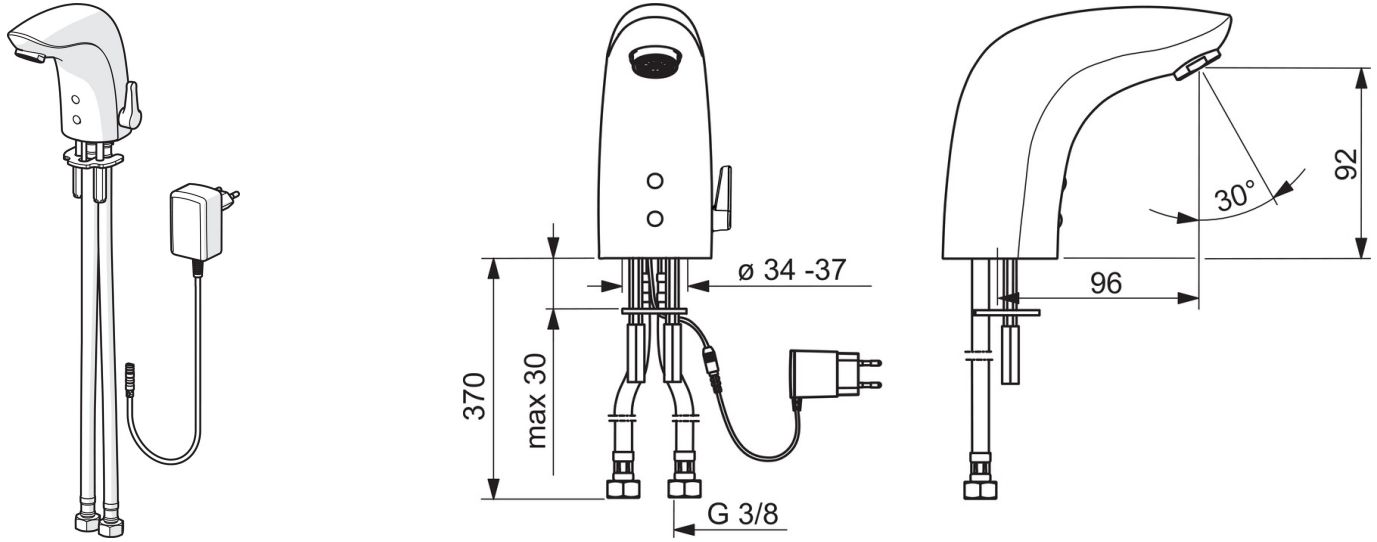
### Electronic properties

Electrical Connection	<b>230 / 9 V</b>
Bluetooth version	<b>4.x</b>

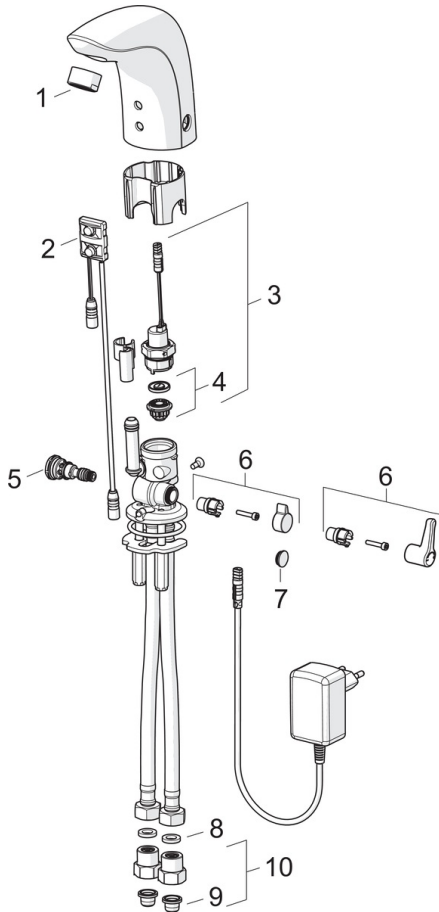
### Regulations

EMC Directive	<b>C E 2014/53/EU</b>
EN standard	<b>EN 15091</b>
Noise class	<b>I (ISO 3822)</b>
Protection class	<b>IP 55 / transformer IP 20</b>





### Spare parts



### SP6120FT

Name	Code
01 Aerator, M24x1, 6 l/min	199266V
02 Sensor, 6/9/12 V Bluetooth	1001424V
02 Sensor, 12 V Discontinued	600082V
03 Solenoid valve	199206V
04 Membrane support ring	199205V
05 Temperature regulator	199201V
06 Temperature control handle, L=37	1005158V
06 Temperature control handle, L=15	199212V
07 Cover plug	199208V
08 Gasket, 8x14.3x2	600705/10
09 Litter filters	199257/2
10 One-way valve with litter screen	198473/2