



- Public & Semi-public
- Touchless, Bluetooth®, Battery-operated
- Deck mounted
- Chrome
- Fixed spout, Casted construction
- Standard aerator
- Litter filter(s), Non-return valve(s)
- Autofocus infrared sensor, Solenoid valve, Low battery indicator
- One inlet for cold or premixed water
- Software settings adjustable via App

## Technical data

### Flow properties

Flow-rate at 300 kPa (with flow controller) **0.09 l/s**

### Technical properties

DN-size (nominal dimension) **DN15**  
 Hot water supply **max. +70°C**  
 Working pressure **50 - 1000 kPa**  
 Connection size **G3/8**  
 Projection **96 mm**  
 Material **Brass**

### Software settings

Afterflow period **3 s (1-20 s)**  
 Automatic flush **off (off/1-120 h)**  
 Automatic flush period **30 s (1-1800 s)**  
 Max. flow period **2 min (1 - 1800 s)**

### Electronic properties

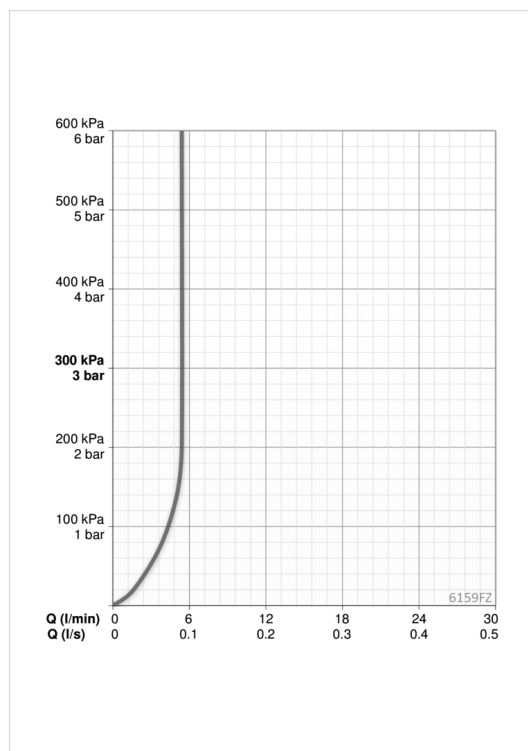
Battery **Lithium 2CR5 6 V**  
 Bluetooth version **4.x**

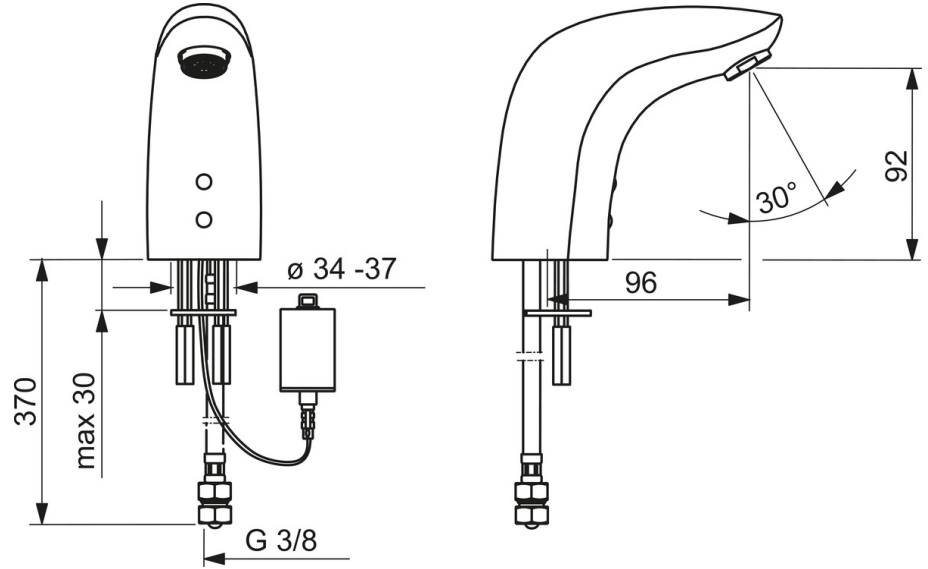
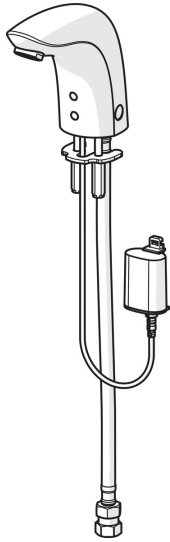
### Regulations

EMC Directive **C E 2014/53/EU**  
 EN standard **EN 15091**  
 Noise class **I (ISO 3822) Oras lab.**  
 Protection class **IP 55**

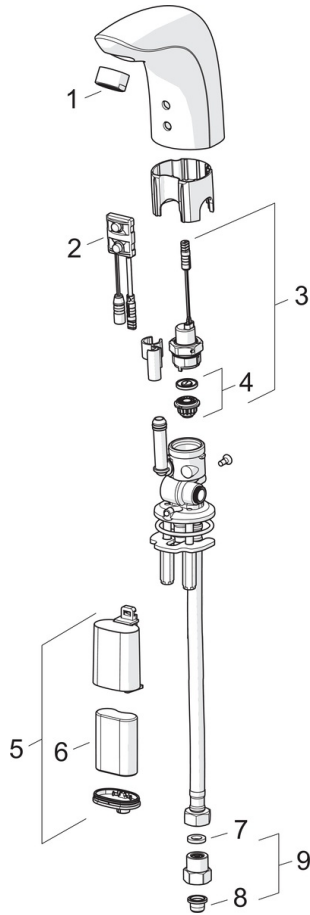
### Type approvals

UN38.3 **BP 0001-3**





## Spare parts



### SP6159F

Name	Code
01 Aerator, M24x1, 6 l/min	199266V
02 Sensor, 6 V	600659V
02 Sensor, 6/9/12 V Bluetooth	1001424V
03 Solenoid valve	199206V
04 Membrane support ring	199205V
05 Battery casing	199417V
06 Lithium battery, 2CR5 6 V	198330
07 Gasket, 8x14.3x2	600705/10
08 Litter filters	199257/2
09 One-way valve with litter screen	198473/2