

EAN: 6414150060410

www.oras.com/en/products/oras/product/6172



Touchless washbasin faucet with a swivel spout, aerator with a 6 l/min flow controller and temperature adjustment knob. Battery-operated 6 V. The temperature adjustment handle is equipped with a temperature limiter which can be bypassed by pushing a button. The faucet is equipped with litter filters and non-return valves.

- Public & Semi-public
- Battery-operated, Touchless
- Wall mounted
- Chrome
- Swivel spout
- Temperature control handle
- Litter filter(s), Non-return valve(s), Pressostatic cartridge for automatic temperature control
- Autofocus infrared sensor, Solenoid valve, Low battery indicator
- Settings adjustable via magnetic key

Technical data

Flow properties

Flow-rate at 300 kPa (with flow controller)	0.1 l/s
Pressure loss with flow (0.1 l/s)	200 kPa

Technical properties

Hot water supply	max. +70°C
Working pressure	100 - 1000 kPa
Connection size	G3/4
Installation width	CC150± 3 mm
Projection	100 mm
Material	Brass

Software settings

Afterflow period	2 s ± 1 s
Automatic flush	off (off/24/48/72 h)
Automatic flush period	30 s
Max. flow period	2 min
Opening range	0-5 cm

Electronic properties

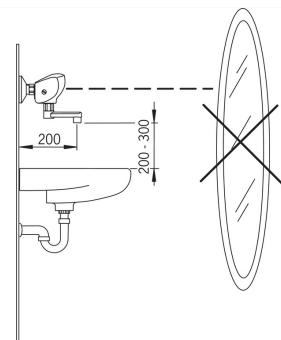
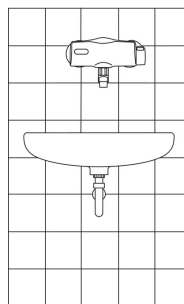
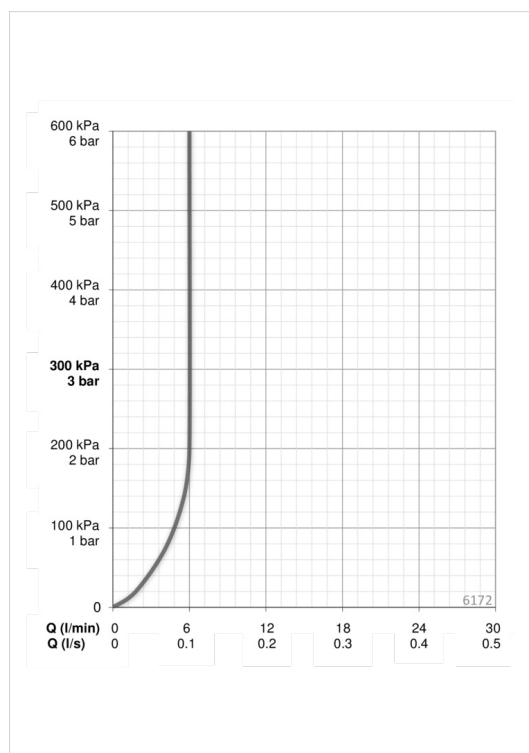
Battery	Lithium 2CR5 6 V
---------	-------------------------

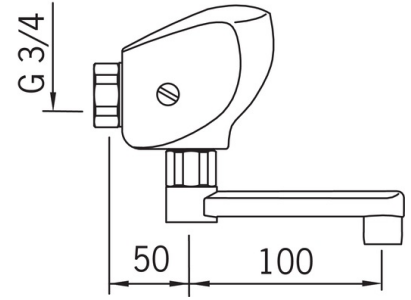
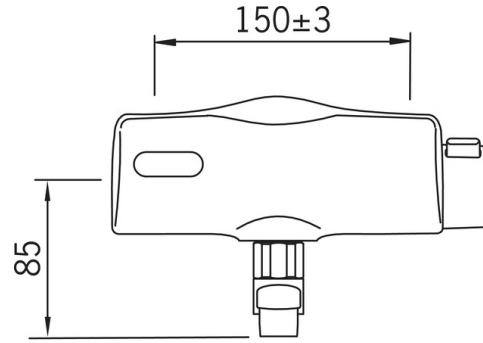
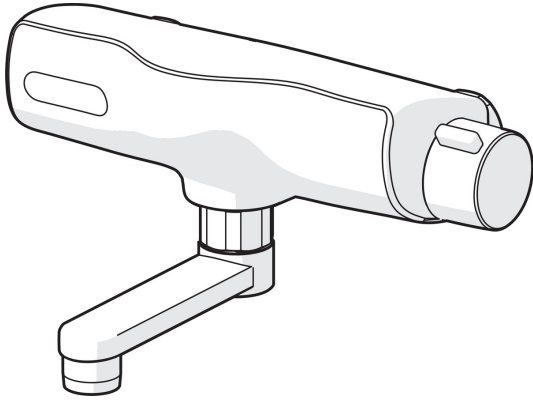
Regulations

EMC Directive	CE 89/336/EEC
EN standard	EN 15091
Noise class	I (ISO 3822)
Protection class	IP 55

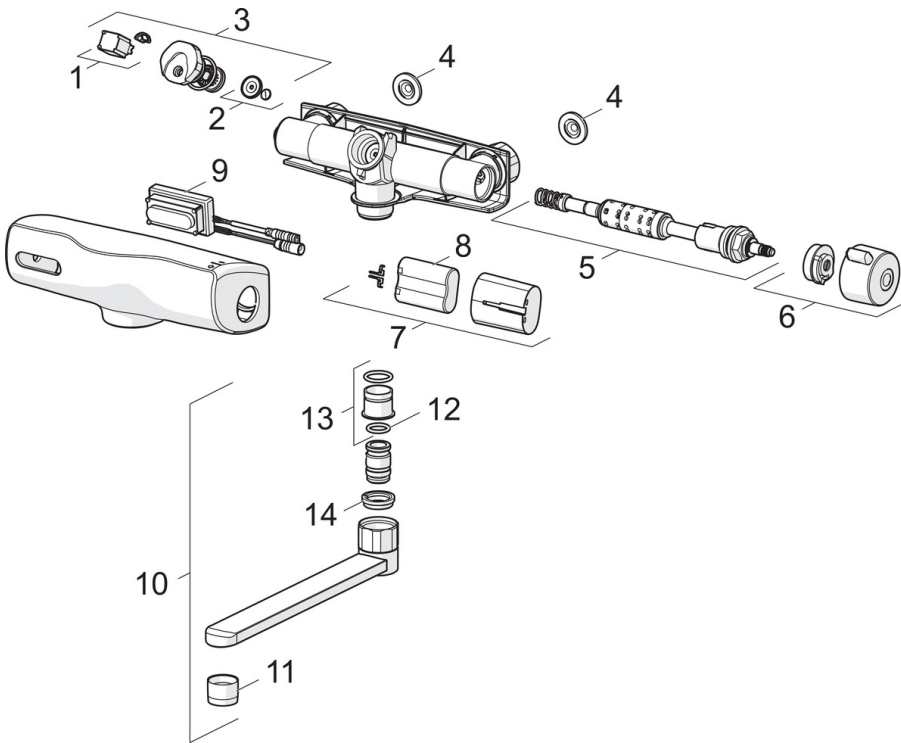
Type approvals

ETA-Danmark	VA 1.42/19635
-------------	----------------------





Spare parts



SP6179

	Name	Code
01	Pilot valve	199426V
02	Membrane	199240V
03	Solenoid valve	199423V
04	Filter sealing, G3/4	178375V
05	Pressostatic cartridge	199434V
06	Temperature control handle	169945V
07	Battery casing	199438V
08	Lithium battery, 2CR5 6 V	198330
09	Sensor, 6 V	600201V
10	Spout, L=100	211212
10	Spout, L=200	211222
11	Aerator, M22x1	199435V
12	O-ring, 13.6x2.4	469360/10
13	Bushing (10 pcs), 18/20.6	219595/10
14	Retaining ring (10 pcs)	219563/10