

EAN: 6414150045974

[www.oras.com/en/products/oras/product/6209](http://www.oras.com/en/products/oras/product/6209)



- Public & Semi-public
- Touchless, External transformer
- Deck mounted
- Chrome
- HONEYCOMB® - improved lime protection
- Litter filter(s)
- Infrared sensor, Power supply

## Technical data

### Flow properties

Flow-rate at 300 kPa (with flow controller) **0.05 l/s**

### Technical properties

Hot water supply **max. +20°C**  
Working pressure **100 - 1000 kPa**

### Software settings

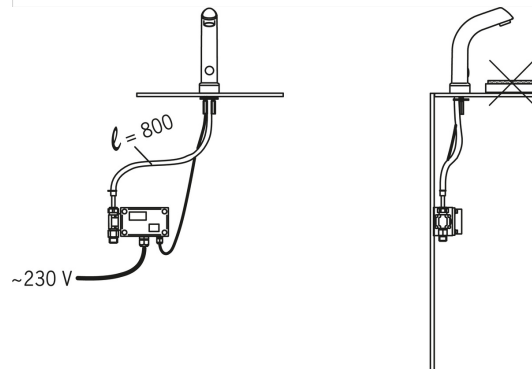
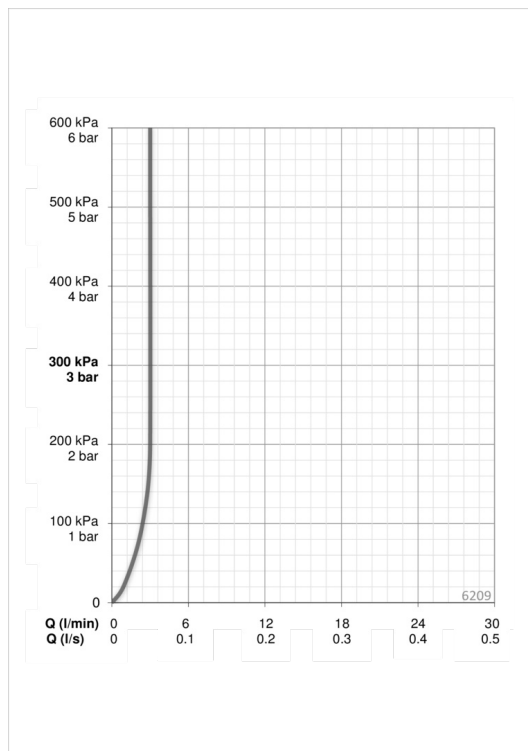
Max. flow period **4 s (0.5 - 8 s)**

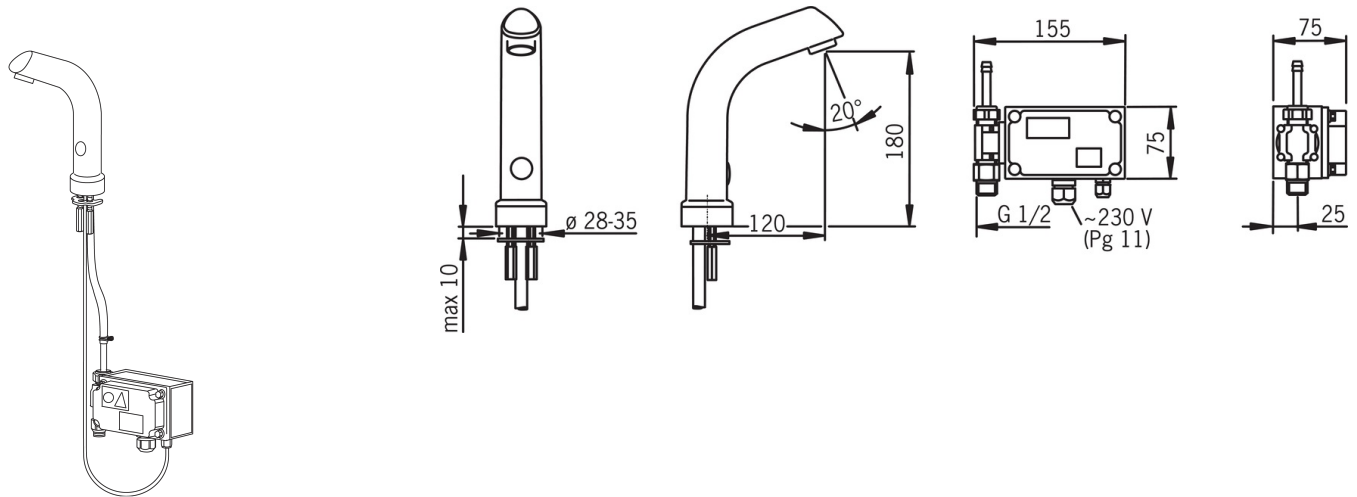
### Electronic properties

Electrical Connection **230 VAC**

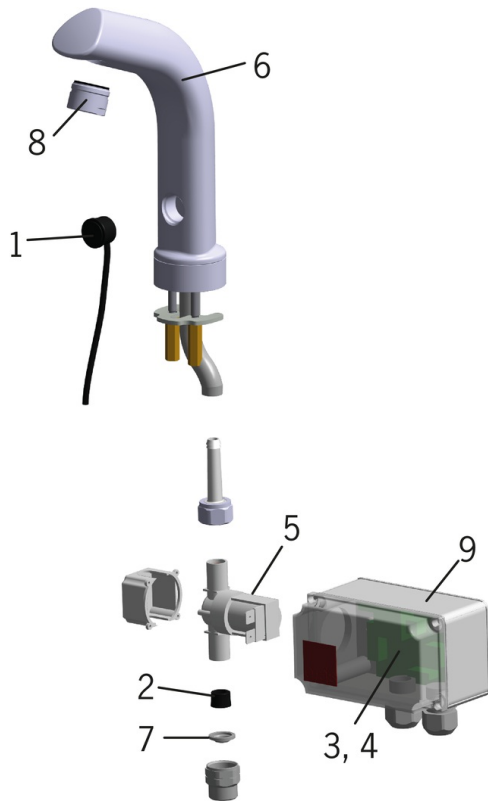
### Regulations

EMC Directive **CE 89/336/EEC**  
EN standard **EN 15091**  
Protection class **IP 67**





## Spare parts



### SP6209

	Name	Code
01	Photocell	198081
02	Flow limiter, 3 l/min	199763V
03	Circuit card, 230 V	199762V
04	Circuit card	199764V
05	Solenoid valve, 230 V	198092
06	Spout	198093
07	Litter filters, DN15	198094/2
08	Aerator, M24 x 1 STD HC A	232211
09	Control box, 230 V	199761V