

EAN: 6414150085888

www.oras.com/en/products/oras/product/6221FZ



Low pressure model. Touchless washbasin faucet with a temperature adjustment handle. The faucet can be taken out of operation, e.g. for cleaning the basin, by placing a cleaning cover over the sensor. The faucet is equipped with litter filters, non-return valves and flexible pipes. No adjustments need to be made at installation because an advanced Autofocus sensor is used. Bluetooth connection enables easy monitoring and adjustments of the faucet.

Electrical connection 9 V or 12 V via a separate power supply (e.g. Oras No. 199275).

- Public & Semi-public, Health & Care
- Touchless, Low pressure, Bluetooth®
- Deck mounted
- Chrome
- Fixed spout
- Protection against burglary
- Temperature control handle
- Non-return valve(s), Litter filter(s)
- Autofocus infrared sensor, Low battery indicator
- 3S-installation system for safe and simple mounting, Adjustable settings via app

Technical data

Flow properties

Flow-rate at 300 kPa (with flow controller)	0.1 l/s
Pressure loss with flow (0.1 l/s)	200 kPa

Technical properties

Hot water supply	max. +70°C
Working pressure	100 - 500 kPa
Connection size	G3/8
Projection	112 mm
Material	brass

Software settings

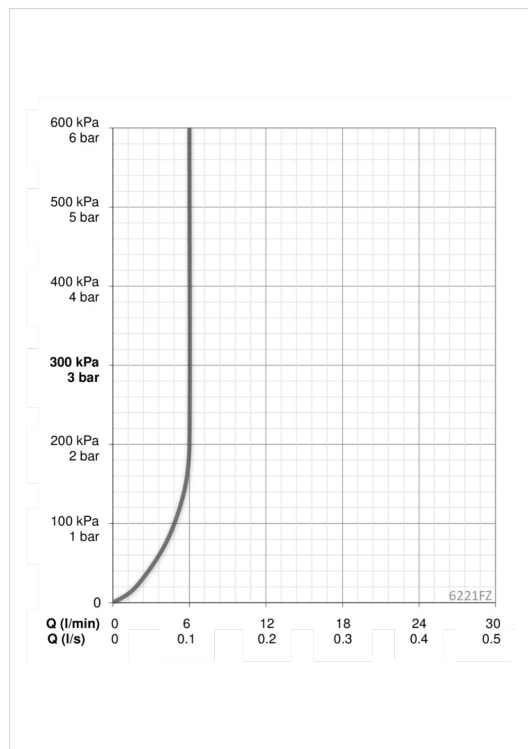
Afterflow period	3 s (1-20 s)
Automatic flush	off (off/1-120 h)
Automatic flush period	30 s (1-1800 s)
Max. flow period	2 min (1 - 1800 s)

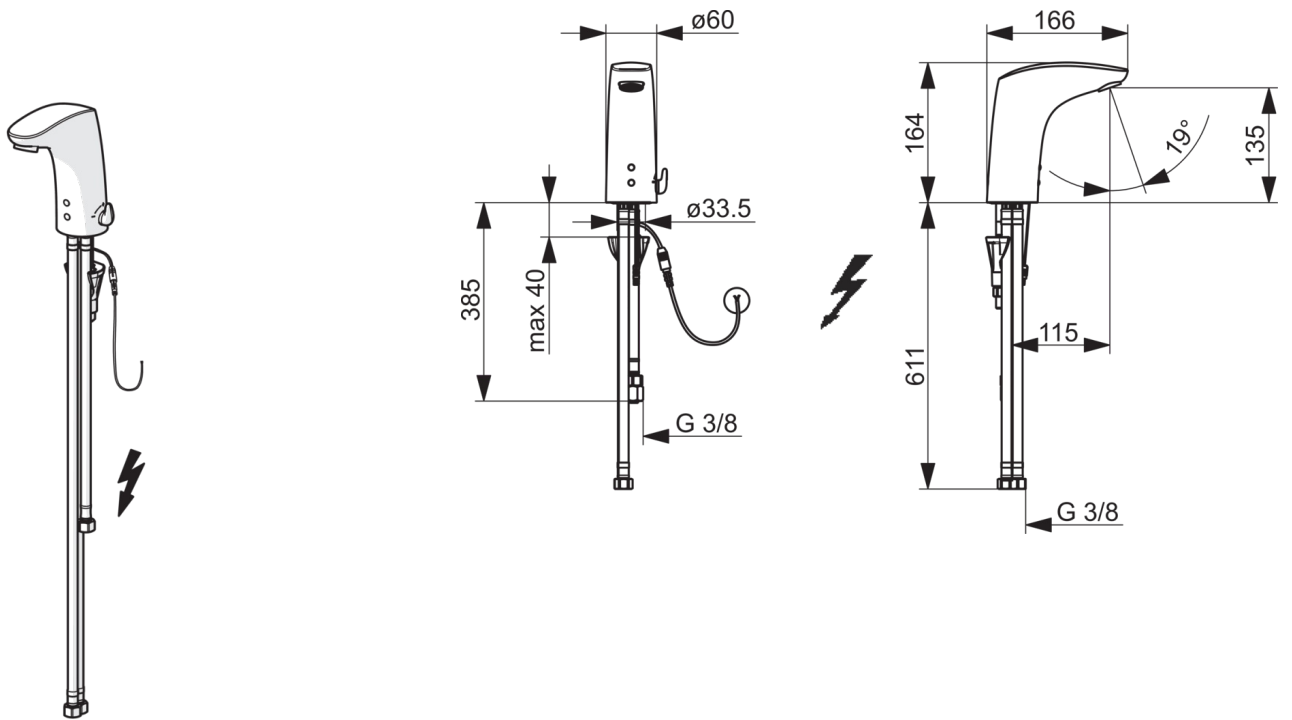
Electronic properties

Electrical Connection	9 / 12 V
Bluetooth version	4.x

Regulations

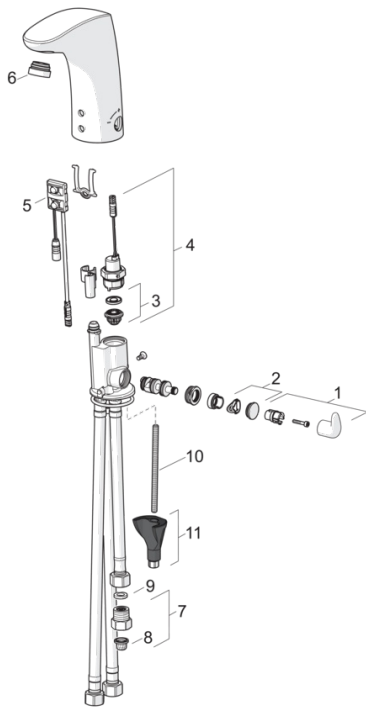
EMC Directive	CE 2014/30/EU
EN standard	EN 15091
Noise class	I (ISO 3822)
Protection class	IP 55





Spare parts

SP6221FZ



	Name	Code
01	Temperature control handle shell	600581V
02	Cover plug	600749V
03	Membrane support ring	199205V
04	Solenoid valve	199206V
05	Sensor, 6/9/12 V Bluetooth	1001424V
06	Aerator, M24x1	1003282V
07	Flow limiter, 5 L/min	601493V
08	Litter filters	199257/2
09	Gasket, 8x14.3x2	600705/10
10	Fixing screw, M8x1, L=130	1000780V
11	Fixing set	602610V