

EAN: 6414150067907

www.oras.com/en/products/oras/product/6258C



Touchless wall-mounted washbasin faucet with a temperature limiter. Battery operated 6 V (2CR5). Body part (Oras No. 6217A) has to be ordered separately.

- Public & Semi-public
- Touchless, Trim Kit, Battery-operated
- Concealed wall mounting
- Chrome
- Standard aerator
- Temperature control handle
- Autofocus infrared sensor, Solenoid valve, Low battery indicator
- Settings adjustable via magnetic key
- Squarewallrosette

Technical data

Flow properties

Flow-rate at 300 kPa (with flow controller)	0.1 l/s
Pressure loss with flow (0.1 l/s)	200 kPa

Technical properties

Hot water supply	max. +70°C
Working pressure	100 - 1000 kPa

Software settings

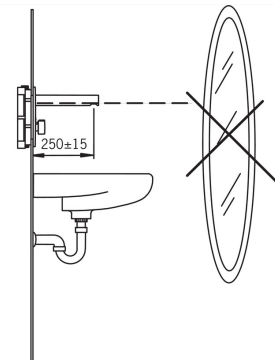
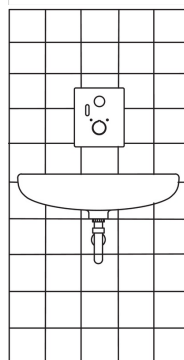
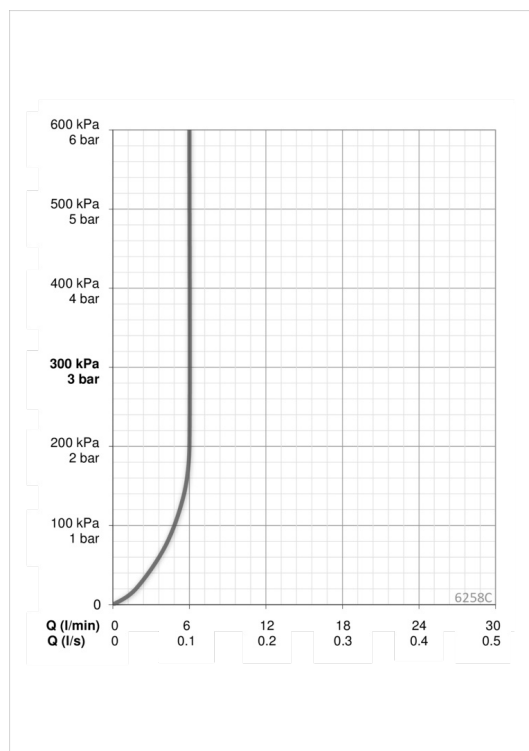
Afterflow period	2 s ± 1 s
Max. flow period	2 min
Opening range	0-5 cm

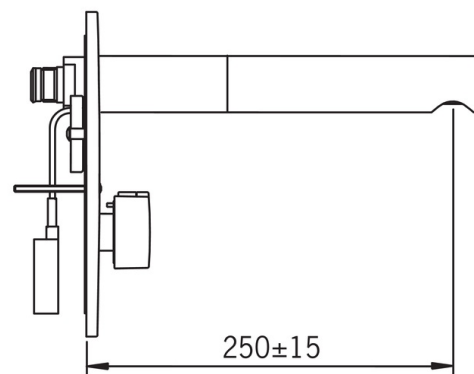
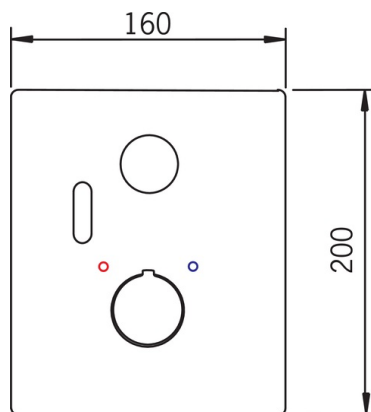
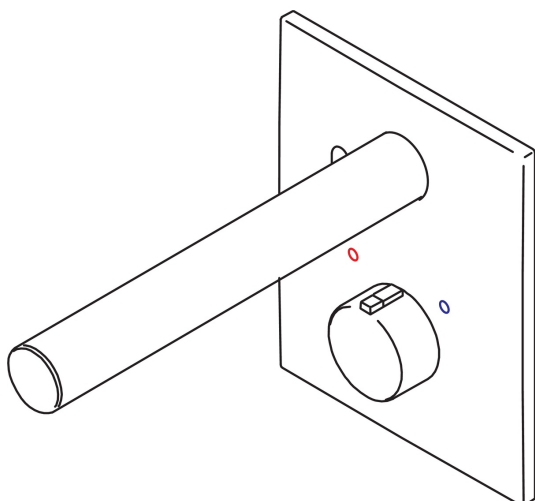
Electronic properties

Battery	Lithium 2CR5 6 V
---------	-------------------------

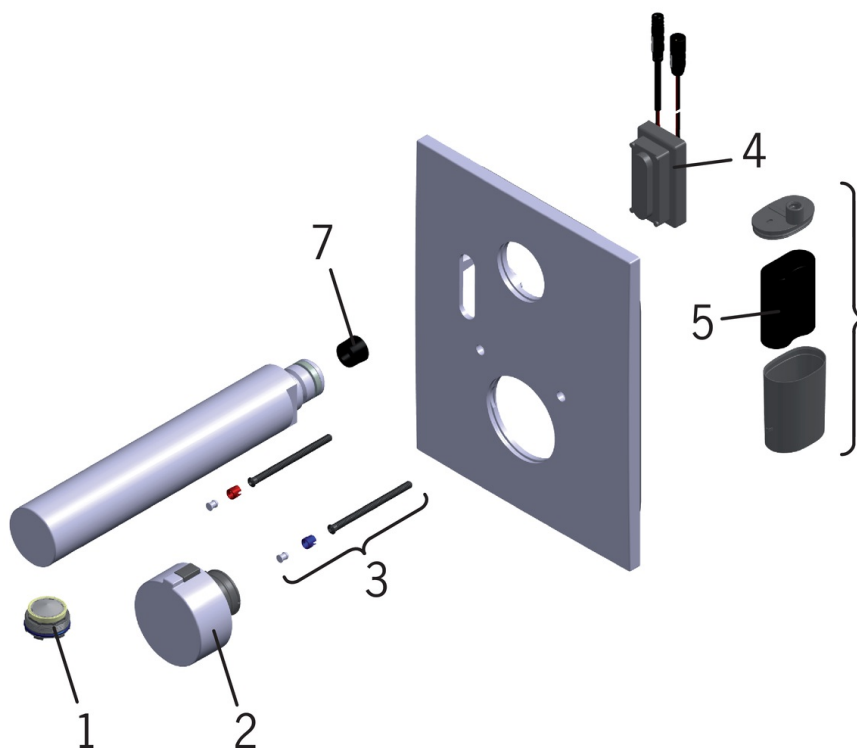
Regulations

EMC Directive	C E 2004/108/EY
EN standard	EN 15091
Noise class	I (ISO 3822)
Protection class	IP 55





Spare parts



SP6257C

Name	Code
01 Aerator, M24x1	859323V
02 Temperature control handle	159080V
03 Accessory bag	600305V
04 Sensor, 6 V	600201V
05 Lithium battery, 2CR5 6 V	198330
06 Battery casing	199438V
07 Flow limiter, 6 l/min	198084