

EAN: 6414150065668
static.oras.com/6334F



Touchless washbasin faucet with a temperature adjustment handle. Length of spout 120 mm. The faucet is equipped with litter filters, non-return valves and Autofocus sensor which enables installation without adjustments. The adjustment values can be changed according to the conditions in the place of use with pre-programmed parameters. Flow controller (6 l/min) enables low water consumption.

Electrical connection 12 V via a separate power supply (e.g. Oras No. 199275). With Oras power supply max 5 faucets allowed.

- Public & Semi-public
- External transformer, Touchless
- Deck mounted
- Chrome
- Hidden aerator
- Temperature control handle
- Non-return valve(s), Litter filter(s)
- Autofocus infrared sensor, Solenoid valve
- Flexible inlet pipes

Technical data

Flow properties

Flow-rate at 300 kPa (with flow controller)	0.1 l/s
Pressure loss with flow (0.1 l/s)	200 kPa

Technical properties

Hot water supply	max. +70°C
Working pressure	100 - 1000 kPa
Connection size	G3/8
Material	Brass

Software settings

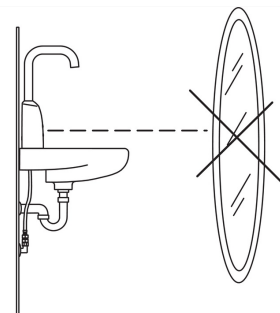
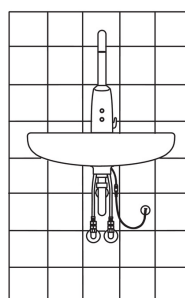
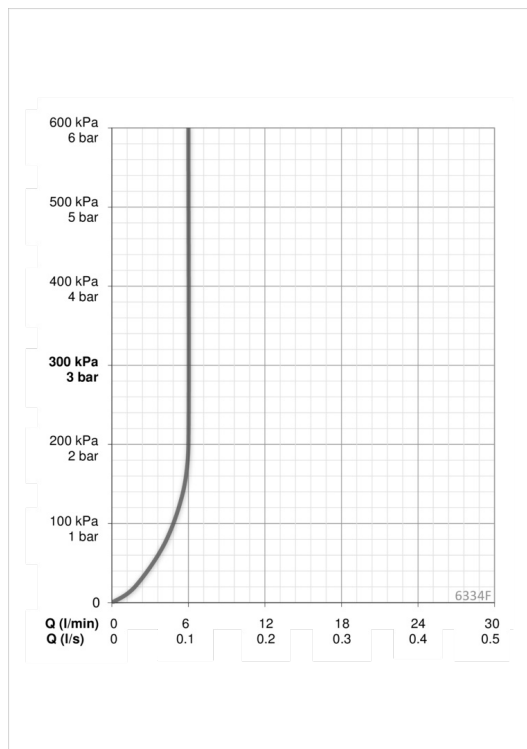
Afterflow period	2 s ± 1 s
Max. flow period	2 min

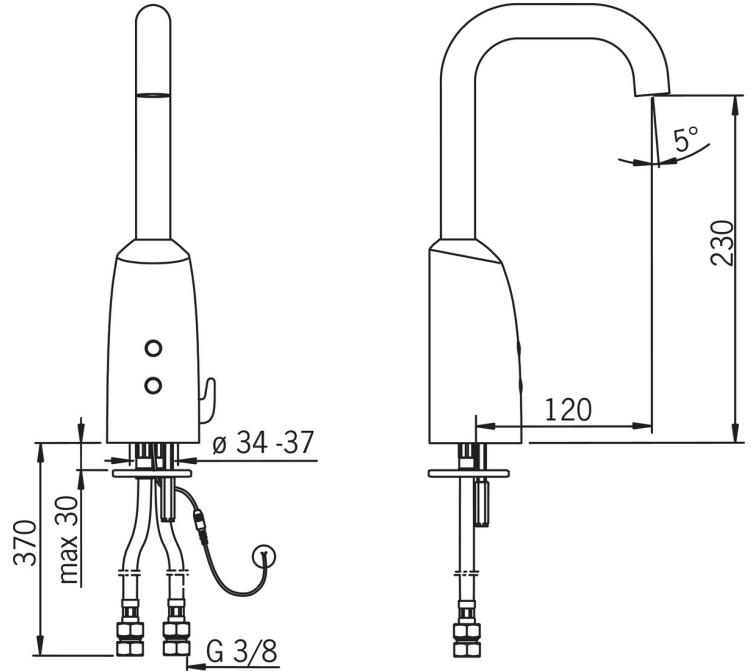
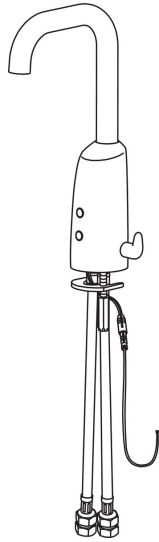
Electronic properties

Electrical Connection	12 V
-----------------------	-------------

Regulations

EMC Directive	C E 2004/108/EC
EN standard	EN 15091
Noise class	I (ISO 3822)
Protection class	IP 55





Spare parts



SP6334F

Name	Code
01 Temperature control handle shell	600581V
02 Membrane support ring	199205V
03 Solenoid valve	199206V
04 Sensor, 12 V	600780V
05 Aerator, M18.5x1 Z	600961V
06 Litter filters	199257/2
07 One-way valve with litter screen	198473/2
08 Spout, L=131	600723V
09 Temperature regulator	199201V
10 Gasket, 8x14.3x2	600705/10