



Touchless urinal flusher with a visible inlet pipe. Battery-operated 6 V. The device is equipped with a litter filter, and has a flusher pipe with a cable gland. The adjustment values can be changed according to the conditions in the place of use with pre-programmed parameters.

- Public & Semi-public
- Battery-operated, Touchless
- Wall mounted
- Chrome
- Litter filter(s)
- Autofocus infrared sensor, Solenoid valve, Low battery indicator
- Direct connection, Internal thread, with integrated shut-off valve(s)
- Software settings adjustable via buttons

## Technical data

### Flow properties

Flow-rate at 300 kPa	<b>0.58 l/s</b>
Pressure loss with flow (0.2 l/s)	<b>40 kPa</b>

### Technical properties

Hot water supply	<b>max. +70°C</b>
Working pressure	<b>100 - 1000 kPa</b>
Connection size	<b>G3/4</b>
Projection	<b>81 mm</b>
Material	<b>Brass</b>

### Software settings

Automatic flush	<b>24 h (off / 24h)</b>
Automatic flush period	<b>6 s</b>
Pre-flush period	<b>2 s (OFF / 2 s)</b>

### Electronic properties

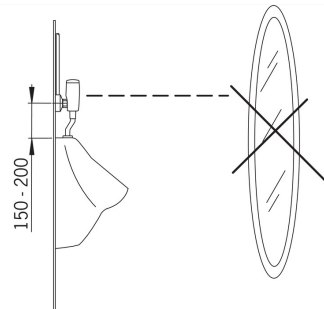
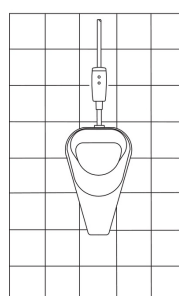
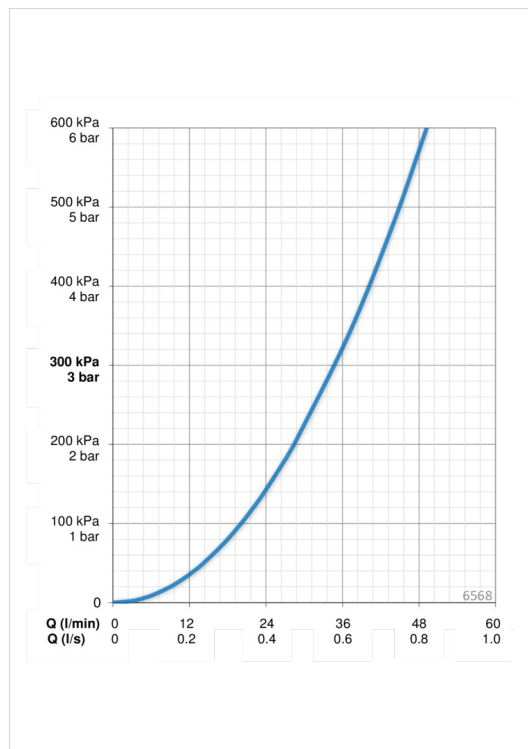
Battery	<b>Lithium 2CR5 6 V</b>
---------	-------------------------

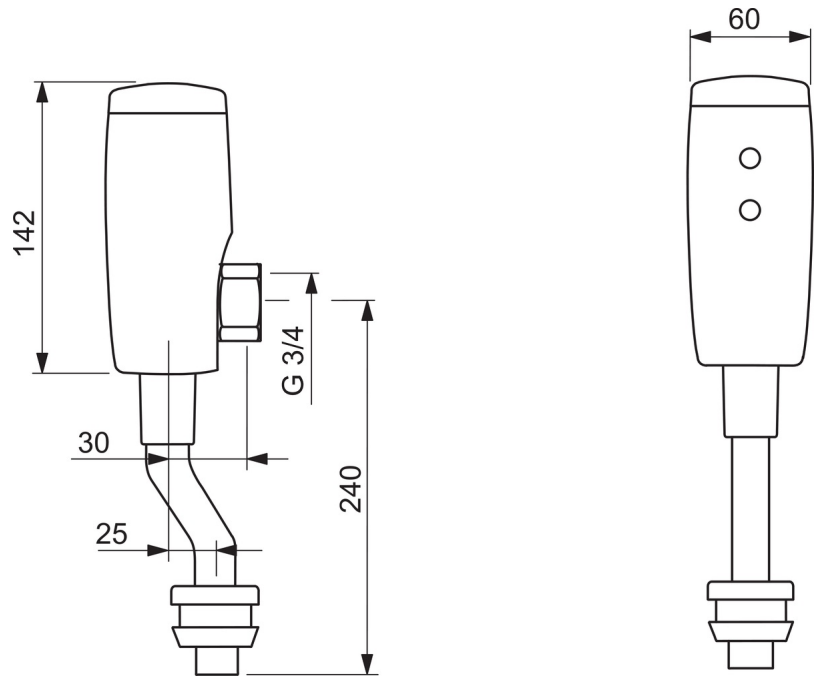
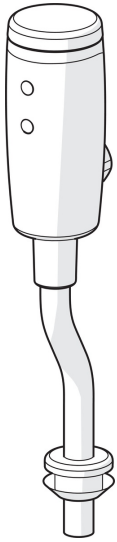
### Regulations

EMC Directive	<b>C € 89/336/EEC</b>
EN standard	<b>EN 15091</b>
Protection class	<b>IP 55</b>

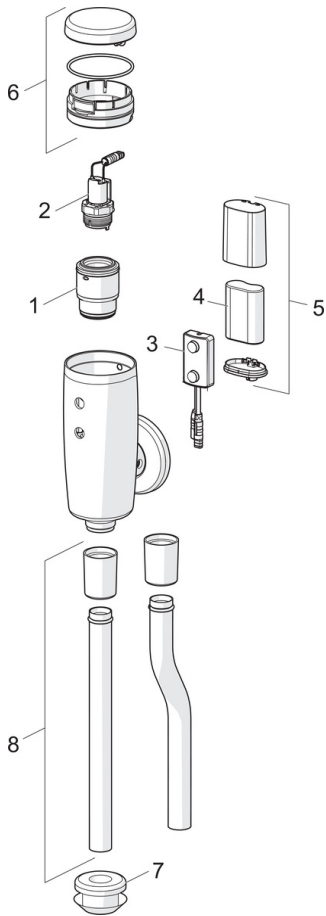
### Type approvals

STF certificate	<b>VTT-RTH-00104-11</b>
UN38.3	<b>BP 0001-3</b>





### Spare parts



### SP6567

	Name	Code
01	Membrane housing	199297V
02	Pilot valve, 6 V	199225V
03	Sensor, 6/9/12 V Bluetooth	1002253V
03	Sensor, 6 V	199238V
04	Lithium battery, 2CR5 6 V	198330
05	Battery casing	199438V
06	Cap, 6567, 6568, 6567Z, 6568Z	199229V
07	Passing-through part	198534V
08	Flush pipe, 6567, 6567Z	199228V
08	Flush pipe, 6568, 6568Z	199441V