

EAN: 6414150085796

www.oras.com/en/products/oras/product/6621C

Cover part for washbasin faucet with cold or premixed water. Electrical connection 12 V. Spout length 245 mm. Body part Oras Bluebox (No. 2081 or 2080), transformer (No. 199275) and right cable length (No. 200510 -200570), has to be ordered separately. Parameters can be changed with a magnetic key, included in the package.

- Public & Semi-public
- Trim Kit, Touchless, External transformer
- Wall mounted for concealed unit
- Chrome
- PCA® - constant flow rate regardless of pressure variations, CASCADE® - aerated stream
- Litter filter(s)
- Autofocus infrared sensor, Solenoid valve, External control unit, Light indicated function(s)
- Adjustable settings via magnetic key
- WithoutTransformer



Technical data

Flow properties

Flow-rate at 300 kPa (with flow controller) **0.08 l/s**

Technical properties

Hot water supply **max. +70°C**
 Working pressure **100 - 1000 kPa**
 Projection **245 mm**

Software settings

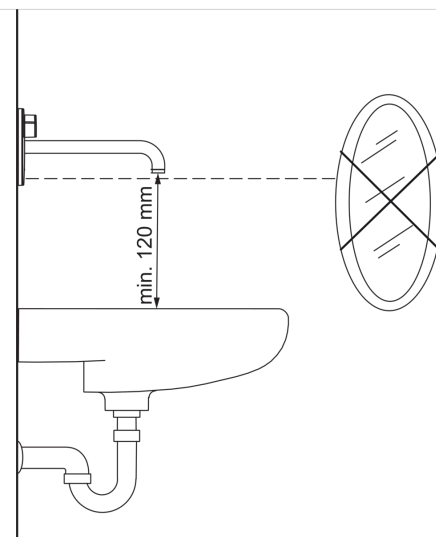
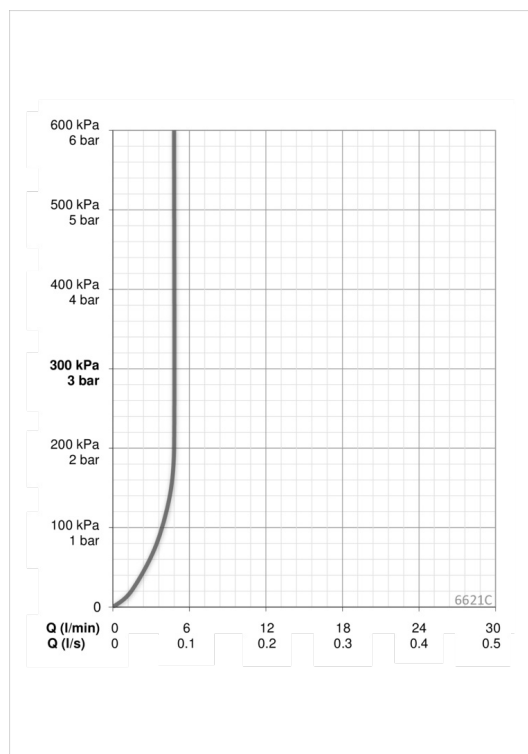
Afterflow period **3 s (1/2/3/4/5/6/7/8/9/10 s)**
 Automatic flush **off (off/6/12/18/24/30/36/48/60/72 h)**
 Automatic flush period **30 s (30/60/90/120/180/240/300/360/480/600 s)**
 Max. flow period **60 s (10/30/60/90/120/150/180/210/240/300 s)**

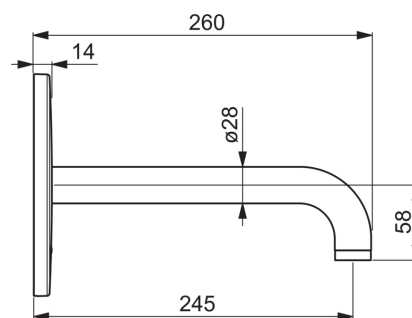
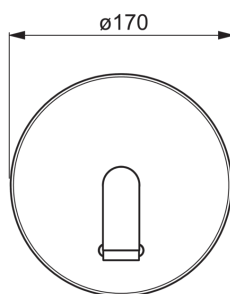
Electronic properties

Electrical Connection **12 V**

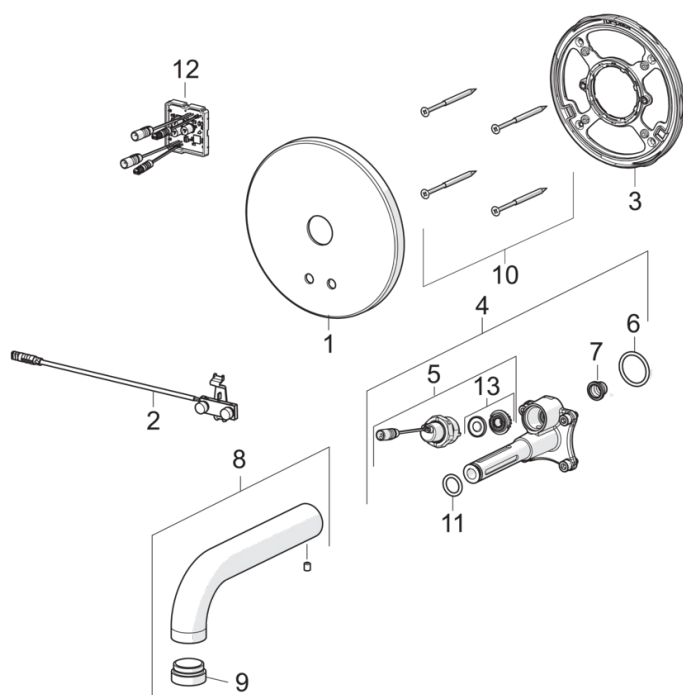
Regulations

EMC Directive **CE 2014/30/EU**
 EN standard **EN 15091**
 Protection class **IP 55**





Spare parts



SP6621C

Name	Code
01 Cover plate	602360V
02 Sensor	1002779V
03 Fixing part	602594V
04 Functional unit	602611V
05 Solenoid valve complete	601307V
06 O-ring, 23.47x2.62	602649V
07 Litter filters	199257/2
08 Spout, L=245	602364V
09 Aerator, M24x1, -105	601166V
10 Screw, M4.5x80	602652V
11 O-ring, d 13.1x2.62	438467/10
12 Control unit, 12 V	1001505V
13 Membrane	601512V