

EAN: 6414150085819

[www.oras.com/en/products/oras/product/6623C](http://www.oras.com/en/products/oras/product/6623C)



Cover part for washbasin faucet with mixed water and a temperature adjustment handle. Electrical connection 12 V. Spout length 170 mm. Body part Oras Bluebox (No. 2081 or 2080), transformer (No. 199275) and right cable length (No. 200510 -200570), has to be ordered separately. Parameters can be changed with a magnetic key, included in the package.

- Public & Semi-public
- Trim Kit, Touchless, External transformer
- Wall mounted for concealed unit
- Chrome
- PCA® - constant flow rate regardless of pressure variations, CASCADE® - aerated stream
- Temperature control handle, Flow control handle
- Mixing valve for manual temperature control, Litter filter(s), Non-return valve(s)
- Autofocus infrared sensor, Solenoid valve, External control unit, Light indicated function(s)
- Adjustable settings via magnetic key
- WithoutTransformer

## Technical data

### Flow properties

Flow-rate at 300 kPa (with flow controller) **0.08 l/s**

### Technical properties

Hot water supply **max. +70°C**  
 Working pressure **100 - 1000 kPa**  
 Projection **170 mm**

### Software settings

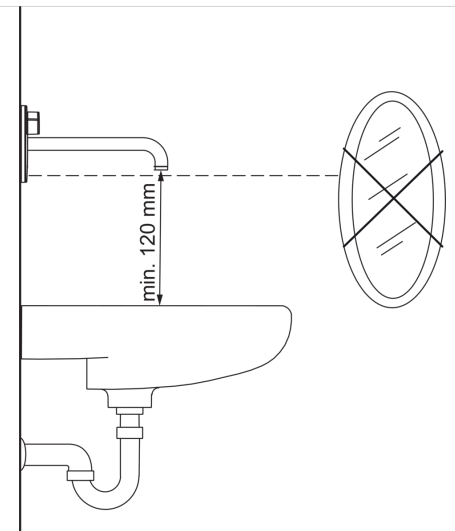
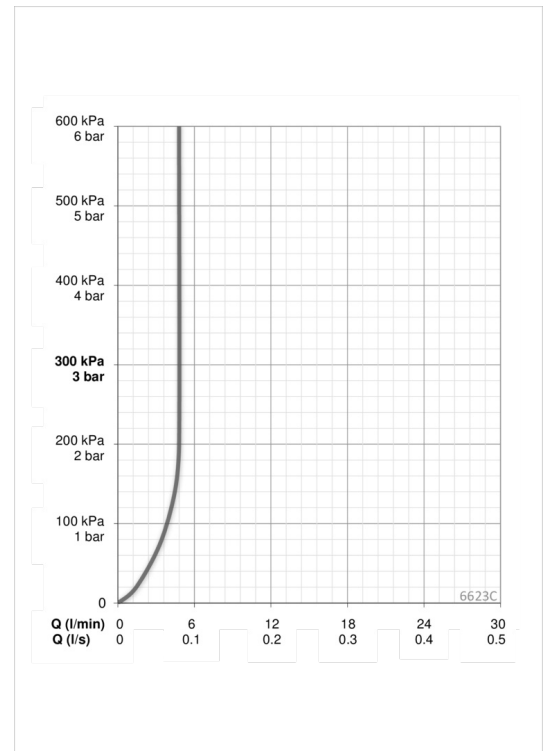
Afterflow period **3 s (1/2/3/4/5/6/7/8/9/10 s)**  
 Automatic flush **off (off/6/12/18/24/30/36/48/60/72 h)**  
 Automatic flush period **30 s (30/60/90/120/180/240/300/360/480/600 s)**  
 Max. flow period **60 s (10/30/60/90/120/150/180/210/240/300 s)**

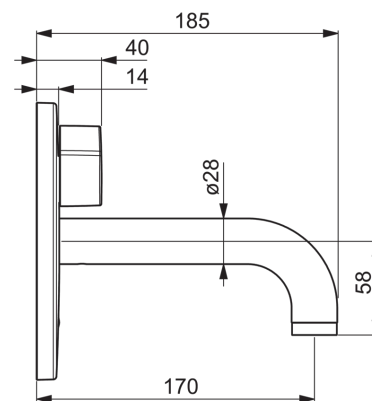
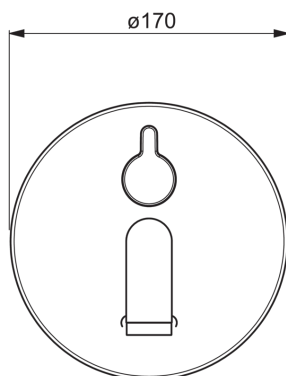
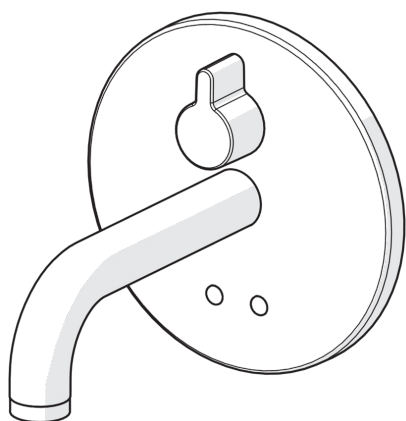
### Electronic properties

Electrical Connection **12 V**

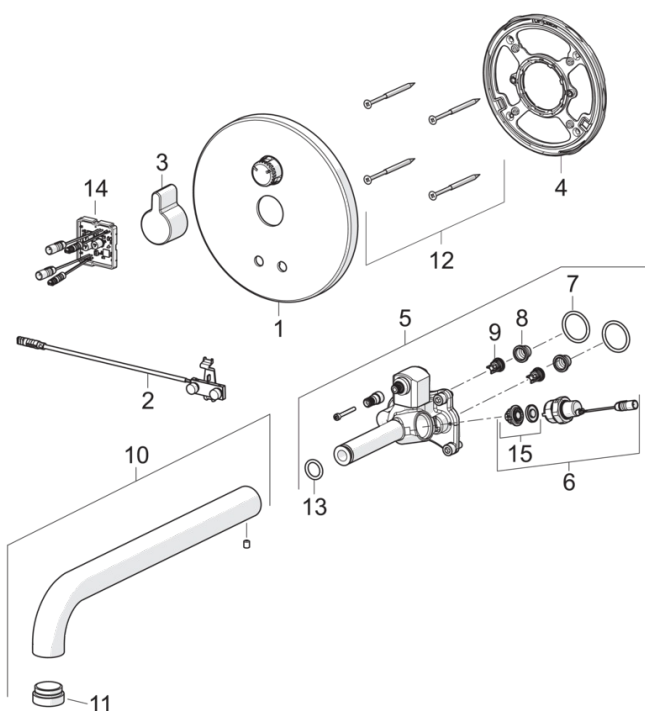
### Regulations

EMC Directive **CE 2014/30/EU**  
 EN standard **EN 15091**  
 Protection class **IP 55**





## Spare parts



### SP6623C

	<b>Name</b>	<b>Code</b>
01	Cover plate	602361V
02	Sensor	602480V
03	Flow control handle	602024V
04	Fixing part	602595V
05	Functional unit	602612V
06	Solenoid valve complete	601307V
07	O-ring, 23.47x2.62	602649V
08	Litter filters	199257/2
09	Non-return valve	601950V
10	Spout, L=170	602363V
11	Aerator, M24x1, -105	601166V
12	Screw, M4.5x80	602652V
13	O-ring, d 13.1x2.62	438467/10
14	Control unit, 12 V	1001505V
15	Membrane	601512V