

EAN: 6414150085857

www.oras.com/en/products/oras/product/6627C



Cover part for thermostatic shower faucet. Push button operated, with a temperature adjustment handle. Temperature handle equipped with safety stop, which can be bypassed by pressing the button (preset to 38°C). Electrical connection 12 V. Body part Oras Bluebox (No. 2081 or 2080), transformer (No. 199275) and right cable length (No. 200510 -200570), has to be ordered separately. Parameters can be changed with a magnetic key, included in the package.

- Public & Semi-public
- Trim Kit, External transformer, Thermostatic
- Wall mounted for concealed unit
- Chrome
- Temperature control handle
- Mechanical push button
- Safety stop against scalding at 38°C
- Thermostatic cartridge for automatic temperature control, Non-return valve(s)
- Solenoid valve, External control unit, Light indicated function(s)
- Adjustable settings via buttons
- WithoutTransformer

Technical data

Flow properties

Flow-rate at 300 kPa **0.23 l/s**

Technical properties

Hot water supply **max. +70°C**
Working pressure **100 - 1000 kPa**

Software settings

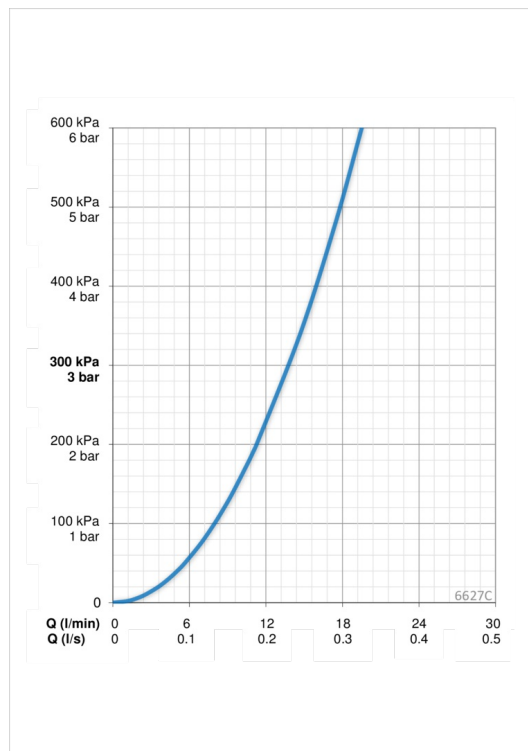
Automatic flush **off (off/6/12/18/24/30/36/48/60/72 h)**
Automatic flush period **30 s**
(30/60/90/120/180/240/300/360/480/600 s)
Max. flow period **45 s (15/30/45/60/75/90/105/120/135/150 s)**

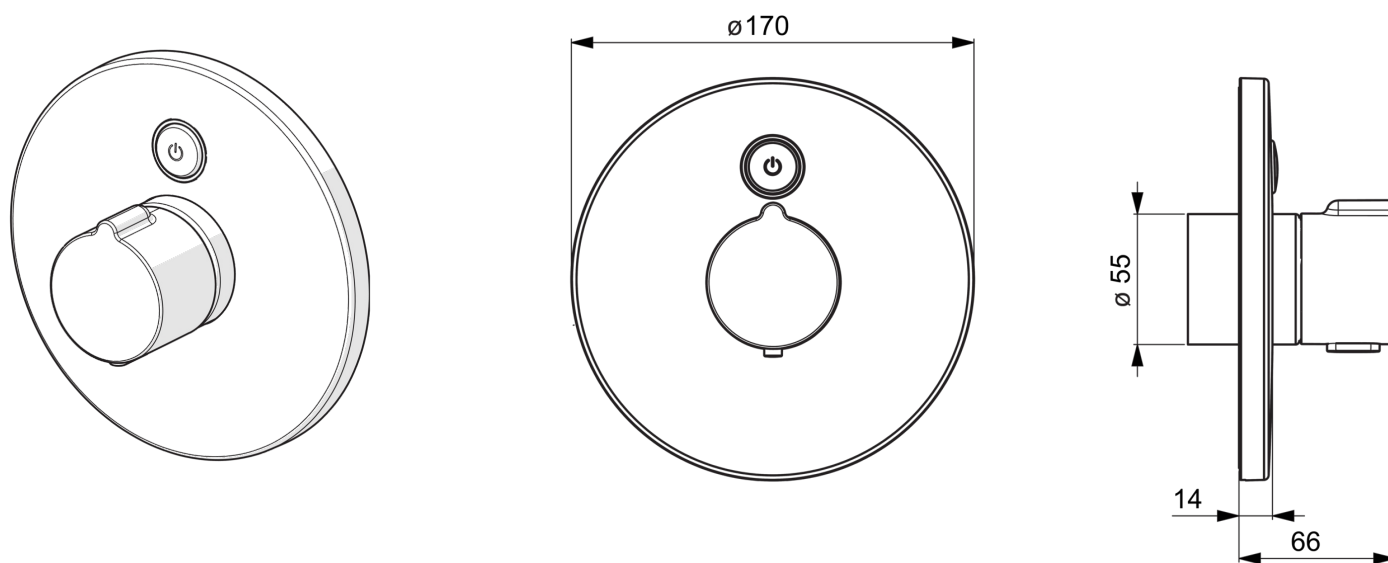
Electronic properties

Electrical Connection **12 V**

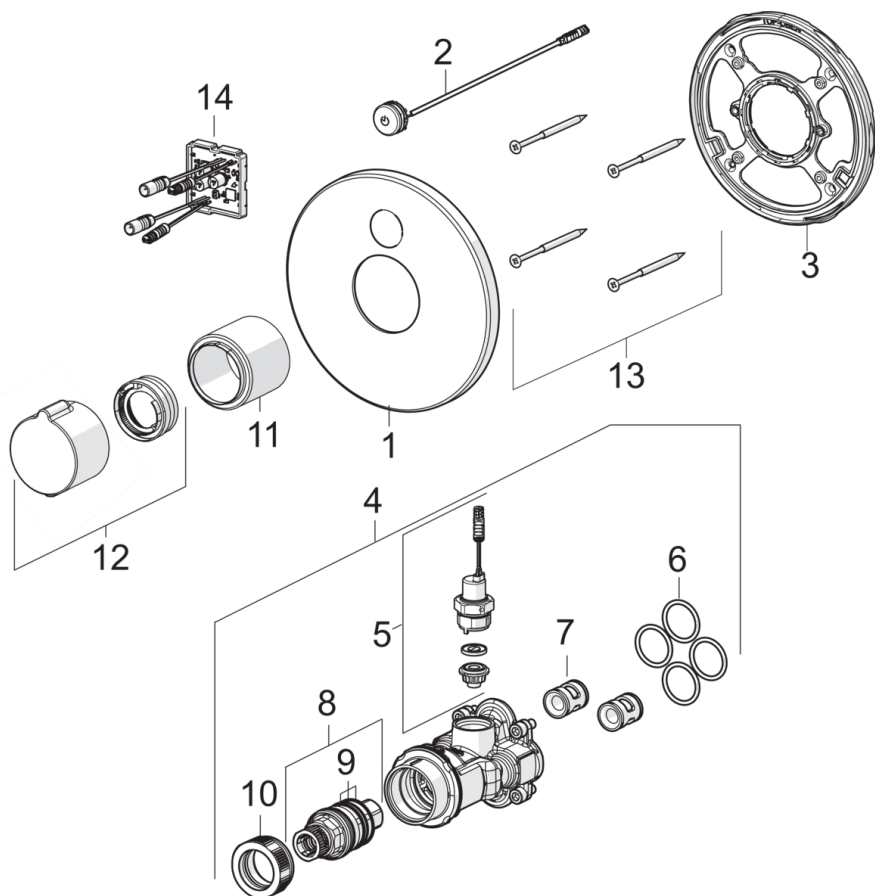
Regulations

EMC Directive **CE 2014/30/EU**
EN standard **EN 15091, EN 1111**
Protection class **IP 55**





Spare parts



SP6627C

	Name	Code
01	Cover plate	602362V
02	Push button	602481V
03	Fixing part	602668V
04	Functional unit	602669V
05	Solenoid valve complete	601307V
06	O-ring, 23.47x2.62	602649V
07	Non-return valve	601989V
08	Thermostatic cartridge	178780V
09	O-ring kit	178796V
10	Tightening nut, M36x1.5, SW38	178706V
11	Cover sleeve	602664V
12	Temperature control handle	602013V
13	Screw, M4.5x80	602652V
14	Control unit, 12 V	1001505V