

EAN: 6414150077470

[www.oras.com/en/products/oras/product/6662FTW](http://www.oras.com/en/products/oras/product/6662FTW)



Touchless thermostatic shower panel with hand shower and a temperature adjustment handle. Electrical connection 12 V via a separate transformer Oras 199275 (max 4 shower panels to one transformer). The shower is switched on by placing a hand in front of the sensor within the recognition range. Water will flow for as long as the person is standing under the shower. When the user exits the recognition range the water flow will stop automatically. The shower panel is equipped with litter filters, non-return valves, flow limiter and 10m power cable for transformer. Parameters are changed with a magnetic key included in the package. The following accessories are sold separately: soap holder (Oras No. 199880) and grab bar (Oras No. 199881).

- Public & Semi-public
- Touchless, External transformer, Thermostatic
- Wall mounted
- Aluminum/Chrome
- Temperature control handle
- Hand shower
- Thermostatic cartridge for automatic temperature control, Litter filter(s), Non-return valve(s)
- Autofocus infrared sensor, Solenoid valve
- Adjustable settings via magnetic key

## Technical data

### Flow properties

Flow-rate at 300 kPa	<b>0.18 l/s</b>
Flow-rate at 300 kPa (with flow controller)	<b>0.17 l/s</b>
Pressure loss with flow (0.2 l/s)	<b>350 kPa</b>

### Technical properties

Hot water supply	<b>max. +70°C</b>
Working pressure	<b>100 - 1000 kPa</b>
Connection size	<b>G3/4</b>
Installation width	<b>CC150</b>
Material	<b>Aluminium</b>

### Software settings

Afterflow period	<b>5 s</b>
Max. flow period	<b>5 min</b>
Opening range	<b>0-5 cm</b>

### Electronic properties

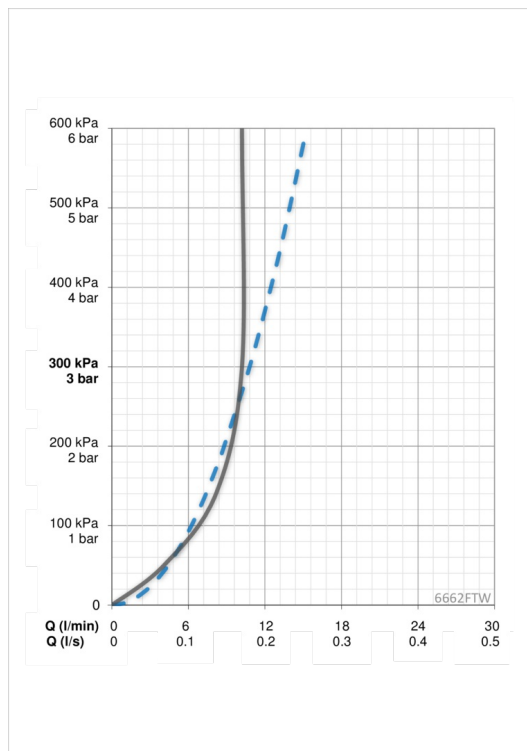
Electrical Connection	<b>12 V</b>
-----------------------	-------------

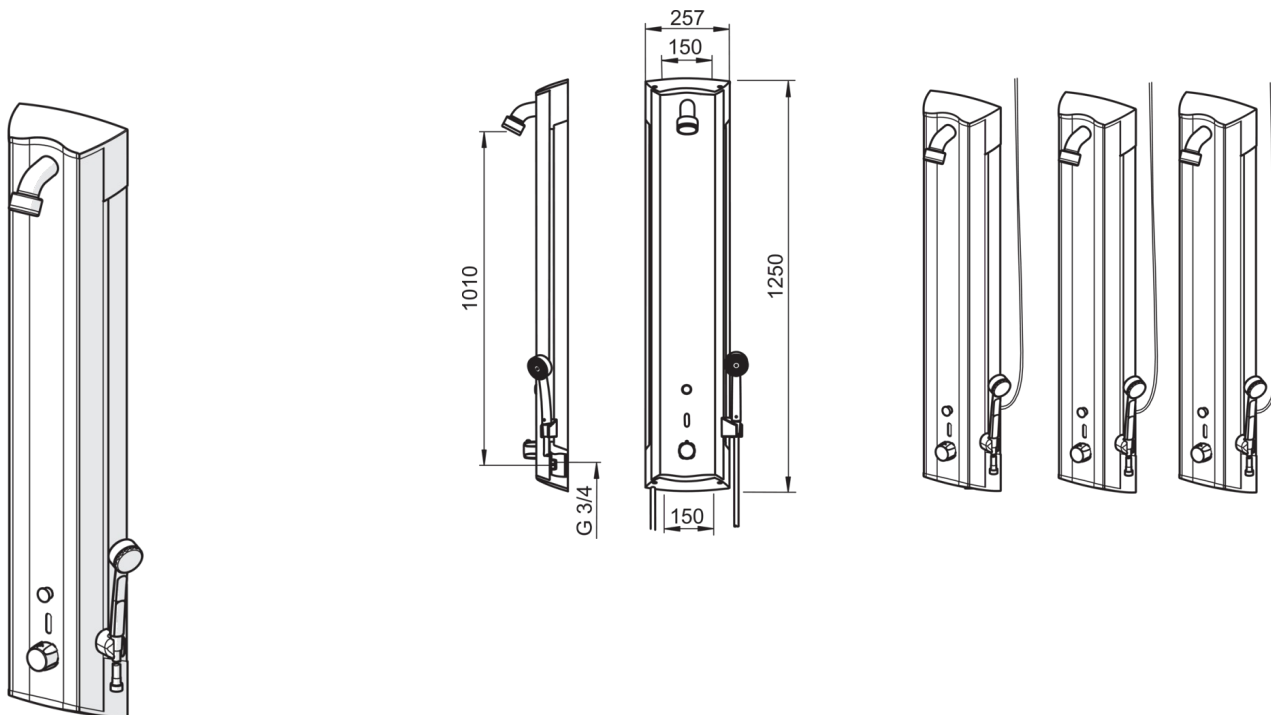
### Regulations

EMC Directive	<b>CE 2004/108/EY</b>
EN standard	<b>EN 1111 , EN 15091</b>
Noise class	<b>I (ISO 3822)</b>
Protection class	<b>IP 55</b>

### Type approvals

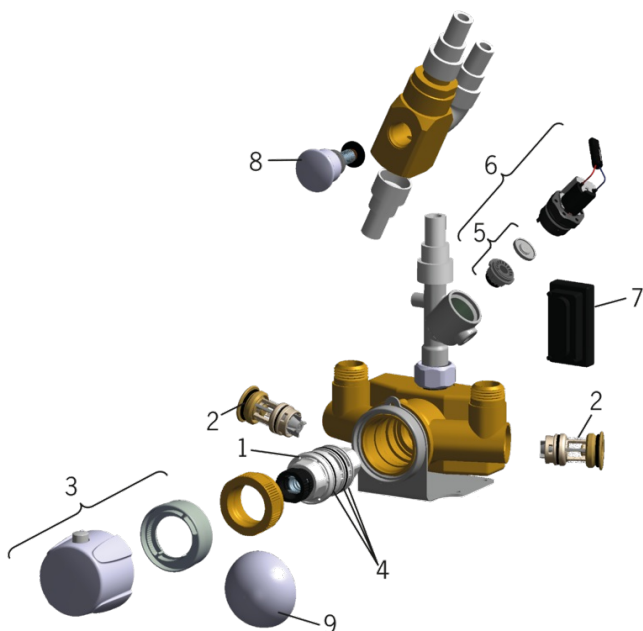
ETA-Danmark	<b>VA 1.43/19334</b>
-------------	----------------------





## Spare parts

### SP6662FTW



Name	Code
01 Thermostatic cartridge	178780V
02 Litter filters	178295
03 Temperature control handle	178794V
04 O-ring kit	178796V
05 Membrane support ring	199205V
06 Solenoid valve	199206V
07 Sensor, 12 V	600203V
08 Diverter	209695
09 Protective cap	199276V