

EAN: 6414150047329

www.oras.com/en/products/oras/product/6664F



Touchless thermostatic shower panel with a temperature adjustment handle. Battery-operated 6 V. The shower is switched on by placing a hand in front of the sensor within the recognition range. Water will flow for as long as the person is standing under the shower. When the user exits the recognition range the water flow will stop automatically. The shower panel is equipped with litter filters, non-return valves and a flow limiter.

The following accessories are sold separately: soap holder (Oras No. 199880) and grab bar (Oras No. 199881).

- Health & Care
- Touchless, Battery-operated, Thermostatic
- Wall mounted
- Aluminum/Chrome
- Temperature control handle
- Thermostatic cartridge for automatic temperature control, Litter filter(s), Non-return valve(s)
- Infrared sensor, Solenoid valve, Low battery indicator
- Adjustable settings via magnetic key

Technical data

Flow properties

Flow-rate at 300 kPa	0.195 l/s
Flow-rate at 300 kPa (with flow controller)	0.18 l/s
Pressure loss with flow (0.2 l/s)	300 kPa

Technical properties

DN-size (nominal dimension)	DN15
Hot water supply	max. +70°C
Working pressure	100 - 1000 kPa
Connection size	G3/4
Installation width	CC150
Material	Aluminium

Software settings

Afterflow period	5 s
Max. flow period	5 min
Opening range	0-5 cm

Electronic properties

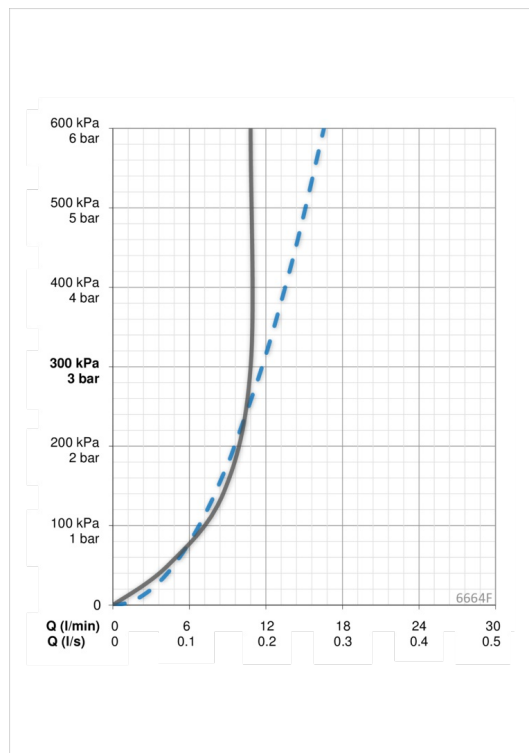
Battery	Lithium 2CR5 6 V
---------	-------------------------

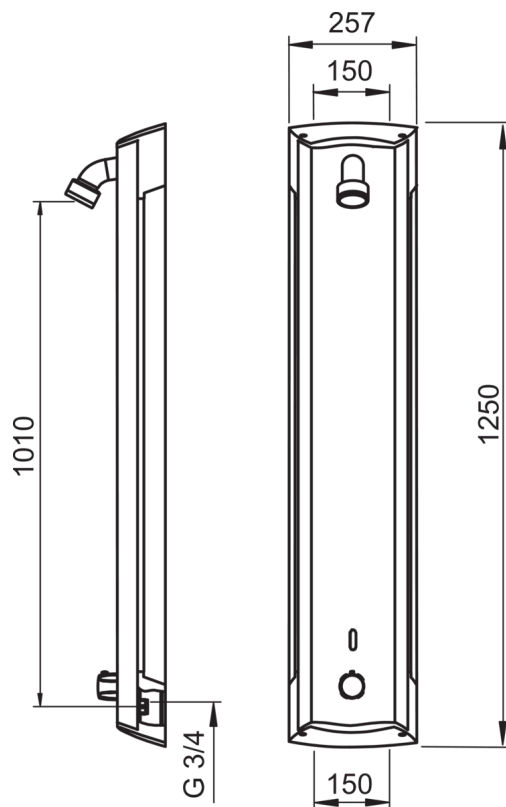
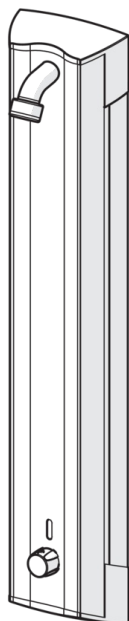
Regulations

EMC Directive	CE 89/336/EEC
EN standard	EN 1111 , EN 15091
Noise class	I (ISO 3822)
Protection class	IP 55

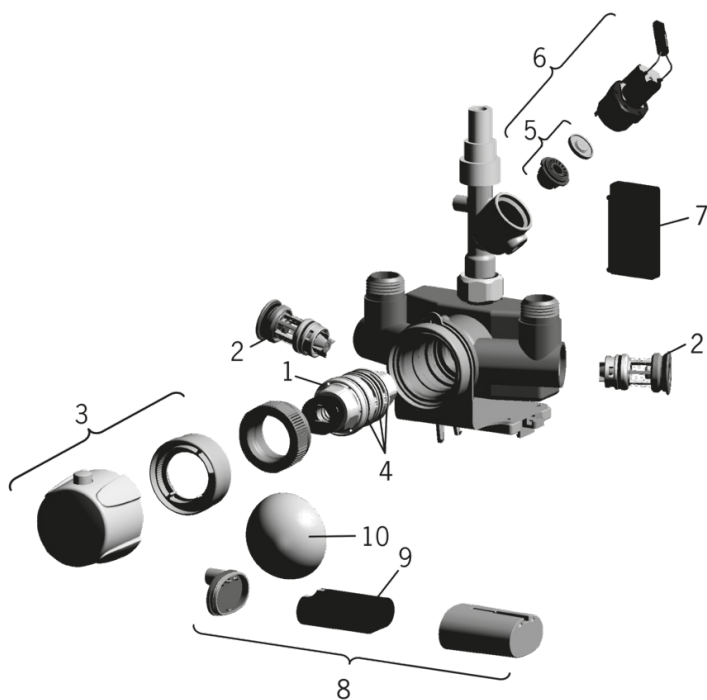
Type approvals

STF certificate	STF VTT-RTH-00114-11
ETA-Danmark	VA 1.43/19334





Spare parts



SP6664F

Name	Code
01 Thermostatic cartridge	178780V
02 Litter filters	178295
03 Temperature control handle	178794V
04 O-ring kit	178796V
05 Membrane support ring	199205V
06 Solenoid valve	199206V
07 Sensor, 6 V	600202V
08 Battery casing	199417V
09 Lithium battery, 2CR5 6 V	198330
10 Protective cap	199276V