



Pressure balancing shower faucet body. Shower faucet that reacts quickly and precisely to the changes of water pressure and keeps the water temperature as selected. Suited to places where there are several water outlets and the network always contains plenty of hot water. The temperature adjustment knob is equipped with a temperature limiter which can be bypassed by pushing a button. The faucet includes litter filters and non-return valves.

- Shower
- Pressostatic
- Wall mounted
- Chrome
- Temperature control handle, Flow control handle
- Safety stop against scalding at 38°C
- Non-return valve(s), Litter filter(s), Pressostatic cartridge for automatic temperature control

Technical data

Flow properties

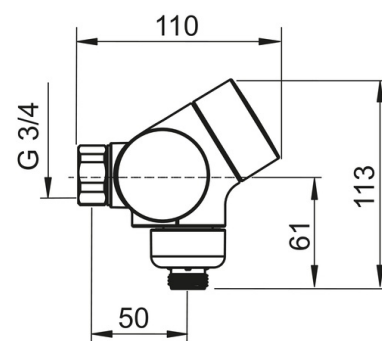
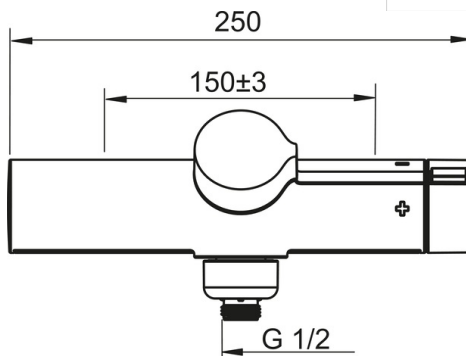
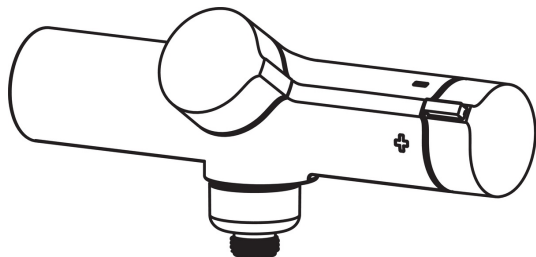
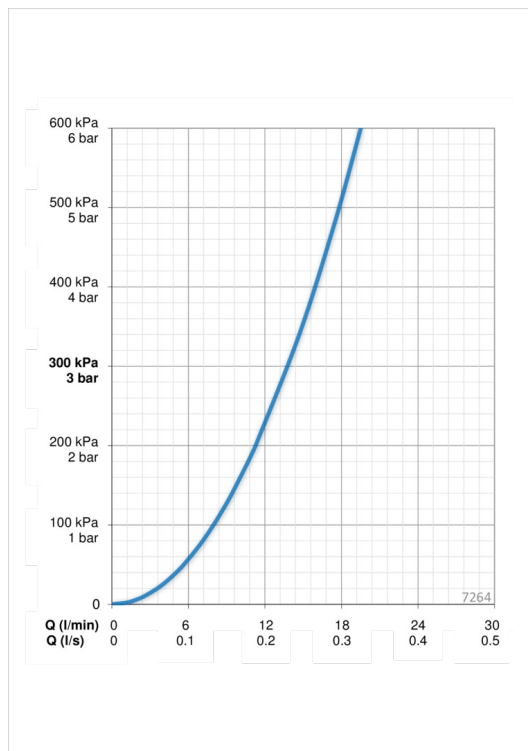
Flow-rate at 300 kPa	0.23 l/s
Pressure loss with flow (0.2 l/s)	220 kPa

Technical properties

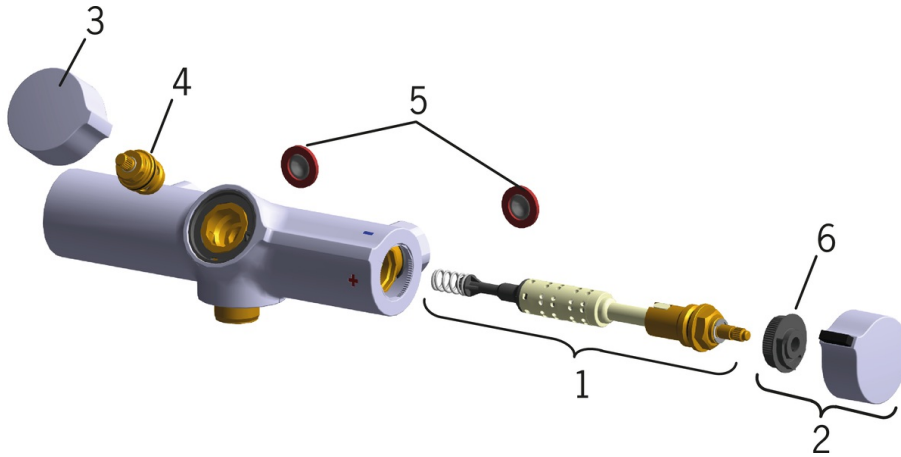
Hot water supply	max. +80°C
Working pressure	100 - 1000 kPa
Connection size	G1/2
Installation width	CC150± 3 mm
Material	Brass

Regulations

EN standard	EN 1111
Noise class	II (ISO 3822)



Spare parts



SP7261

	Name	Code
01	Pressostatic cartridge	169940V
02	Temperature control handle	601648V
03	Flow control handle	601649V
04	Headpart	109390
05	Litter filters, G3/4	198292/2
06	Temperature adjustment limiter	601689V