

EAN: 6414150088254  
[static.oras.com/7401U](http://static.oras.com/7401U)



- Shower solutions
- Thermostatic
- Wall mounted
- Chrome
- Temperature control handle, Flow control handle
- Integrated into flow control handle
- Hand shower, Overhead shower, Shower hose (1750 mm), Variable fixing points, Rotatable ball joint connection, Anti limescale technology (easy to clean)
- Safety stop against scalding at 38°C, The housing of the fittings conducts minimal heat
- Ceramic head part for flow control, Thermostatic cartridge for automatic temperature control, Non-return valve(s), Litter filter(s)
- Eccentric coupling(s), External thread, Cover plate(s), Silencer(s)
- Flexible length / can be shortened

## Technical data

### Flow properties

|                                   |                       |
|-----------------------------------|-----------------------|
| Flow-rate at 300 kPa              | <b>0.3 / 0.26 l/s</b> |
| Pressure loss with flow (0.2 l/s) | <b>180 kPa</b>        |

### Technical properties

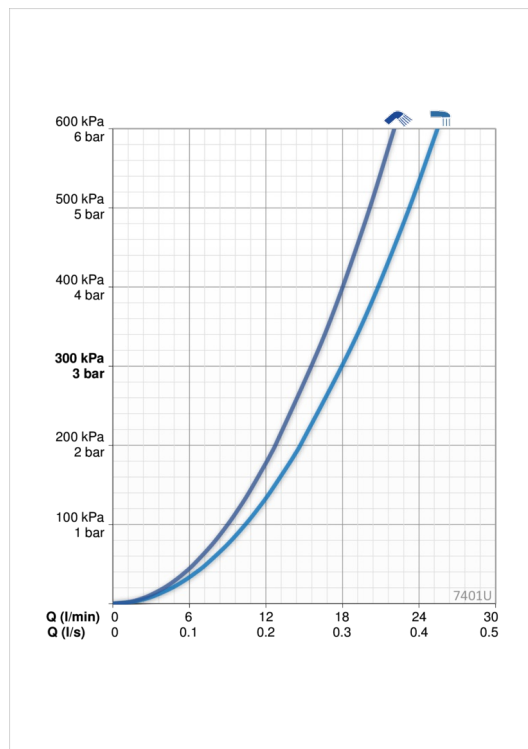
|                             |                       |
|-----------------------------|-----------------------|
| DN-size (nominal dimension) | <b>DN 15</b>          |
| Hot water supply            | <b>max. +65°C</b>     |
| Working pressure            | <b>100 - 1000 kPa</b> |
| Connection size             | <b>G1/2</b>           |
| Installation width          | <b>CC150± 15 mm</b>   |
| Projection                  | <b>435 - 460 mm</b>   |
| Material                    | <b>Brass</b>          |

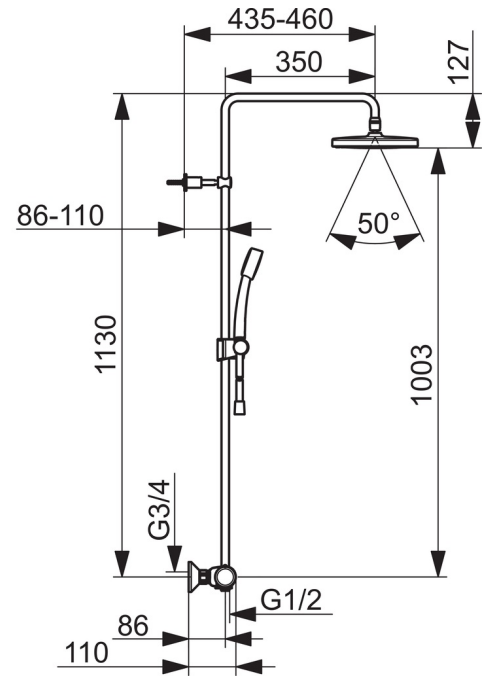
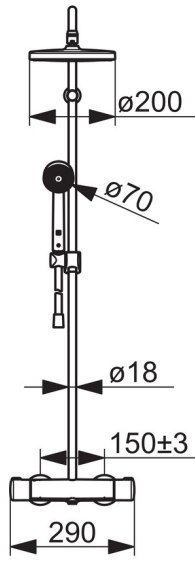
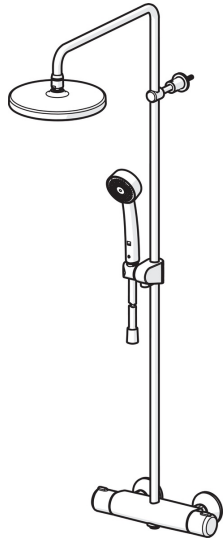
### Regulations

|             |                                  |
|-------------|----------------------------------|
| EN standard | <b>EN 1111, EN 1112, EN 1113</b> |
| Noise class | <b>I (ISO 3822)</b>              |

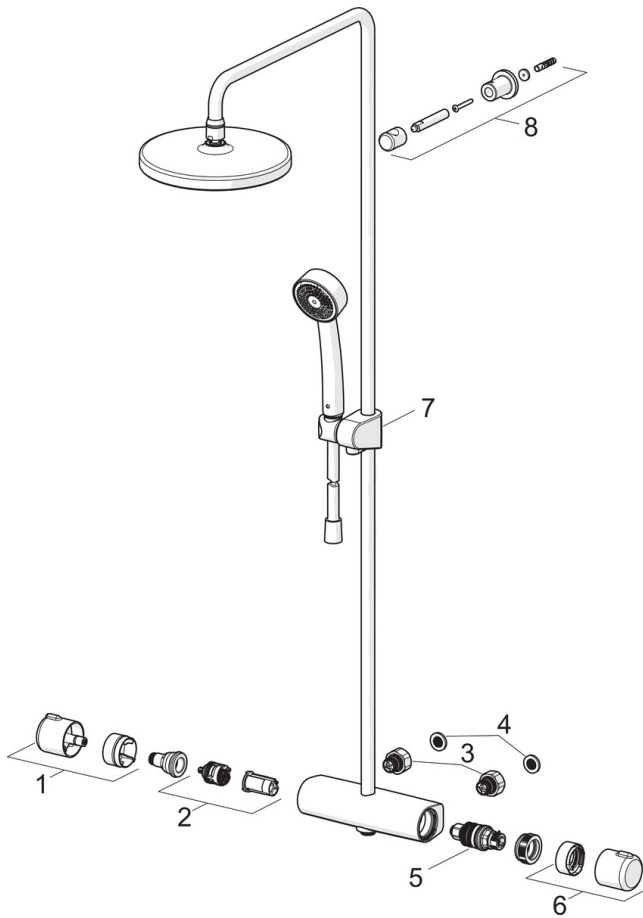
### Approvals and Declarations

|         |             |
|---------|-------------|
| KIWA SE | <b>1664</b> |
|---------|-------------|





## Spare parts



### SP7401

| Name                          | Code     |
|-------------------------------|----------|
| 01 Flow control handle        | 602452V  |
| 02 Diverter and cartridge     | 1006281V |
| 03 Combiner                   | 602438/2 |
| 04 Filter sealing, G3/4, DN20 | 178375V  |
| 05 Thermostatic cartridge     | 178780V  |
| 06 Temperature control handle | 602431V  |
| 07 Slide for shower rail      | 601189V  |
| 08 Shower pipe holder         | 1001314V |