

EAN: 6414150072888
static.oras.com/7433



Mechanical shower panel with head shower. The shower panel is equipped with litter filters, non-return valves and a flow limiter. The following accessories are sold separately: soap holder (Oras No. 199880)

- Shower solutions
- Thermostatic
- Wall mounted
- Aluminum/Chrome
- Temperature control handle, Flow control handle
- Soap dish
- Non-return valve(s), Litter filter(s), Thermostatic cartridge for automatic temperature control, Ceramic head part for flow control

Technical data

Flow properties

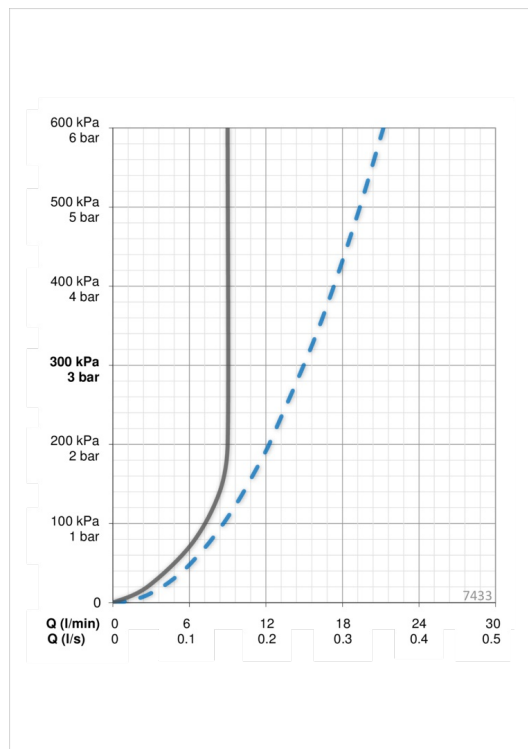
Flow-rate at 300 kPa	0.25 l/s
Flow-rate at 300 kPa (with flow controller)	0.15 l/s

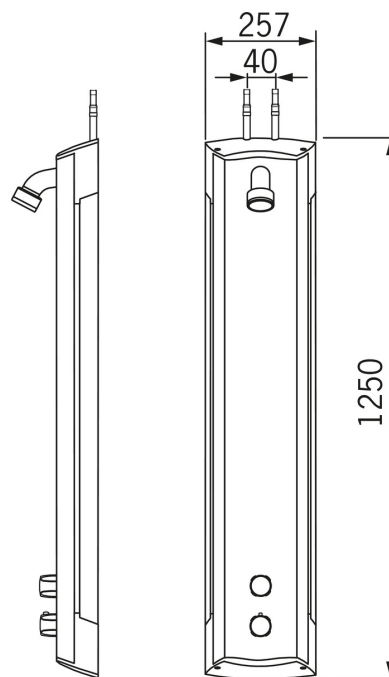
Technical properties

Hot water supply	max. +80°C
Working pressure	100 - 1000 kPa

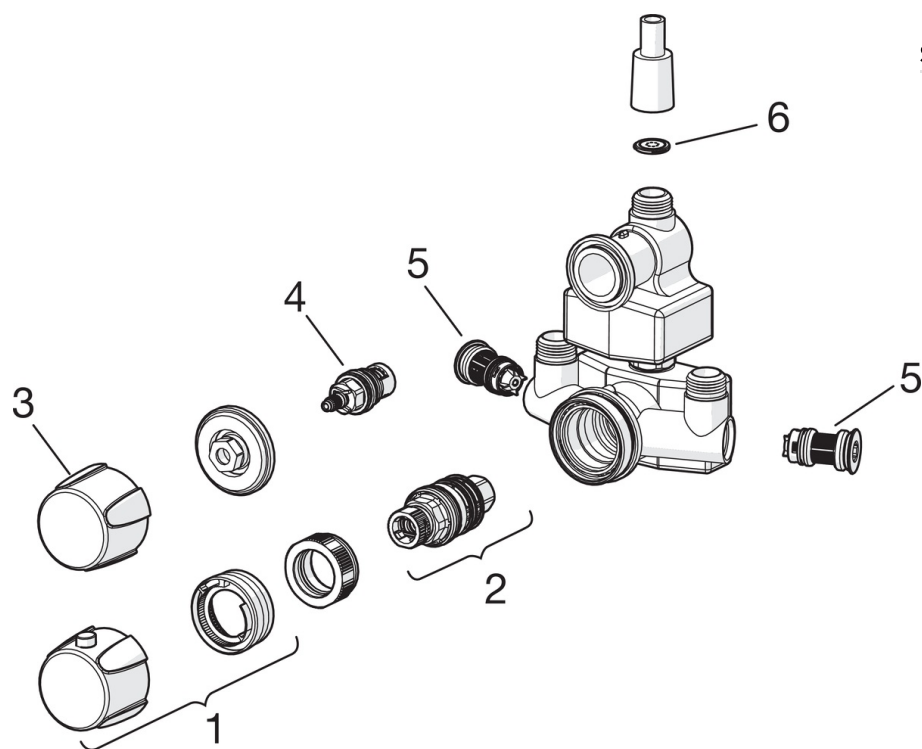
Regulations

EN standard	EN 1111
Noise class	I (ISO 3822) Oras lab.





Spare parts



SP7433

	Name	Code
01	Temperature control handle	178794V
02	Thermostatic cartridge	178780V
03	Flow control handle	178783V
04	Headpart	109898
05	One-way valve with litter screen	178295
06	Flow limiter, G1/2, 9L/min	602138V