

EAN: 6414150072901
static.oras.com/7434



Mechanical shower panel with head and hand shower. The shower panel is equipped with litter filters, non-return valves and a flow limiter. The following accessories are sold separately: soap holder (Oras No. 199880)

- Shower solutions
- Thermostatic
- Wall mounted
- Aluminum/Chrome
- Temperature control handle, Flow control handle
- Soap dish, Hand shower
- Non-return valve(s), Litter filter(s), Thermostatic cartridge for automatic temperature control, Ceramic head part for flow control

Technical data

Flow properties

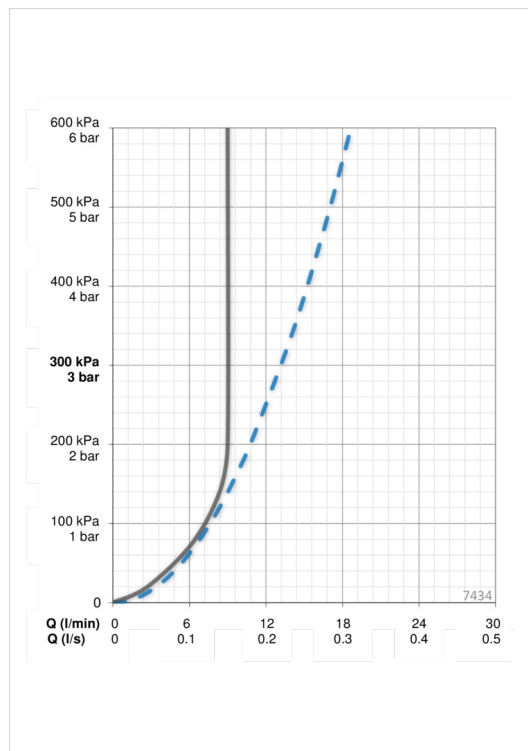
Flow-rate at 300 kPa	0.22 l/s
Flow-rate at 300 kPa (with flow controller)	0.15 l/s

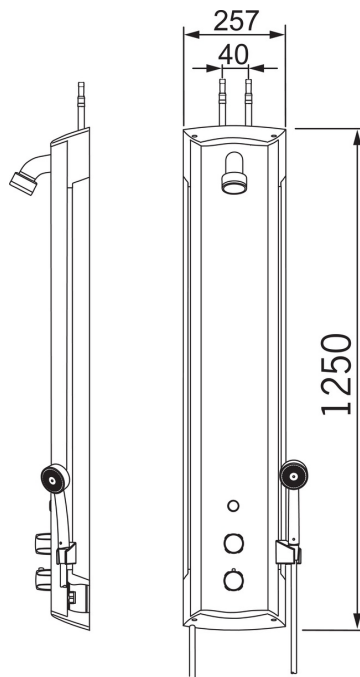
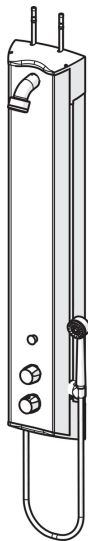
Technical properties

Hot water supply	max. +80°C
Working pressure	100 - 1000 kPa

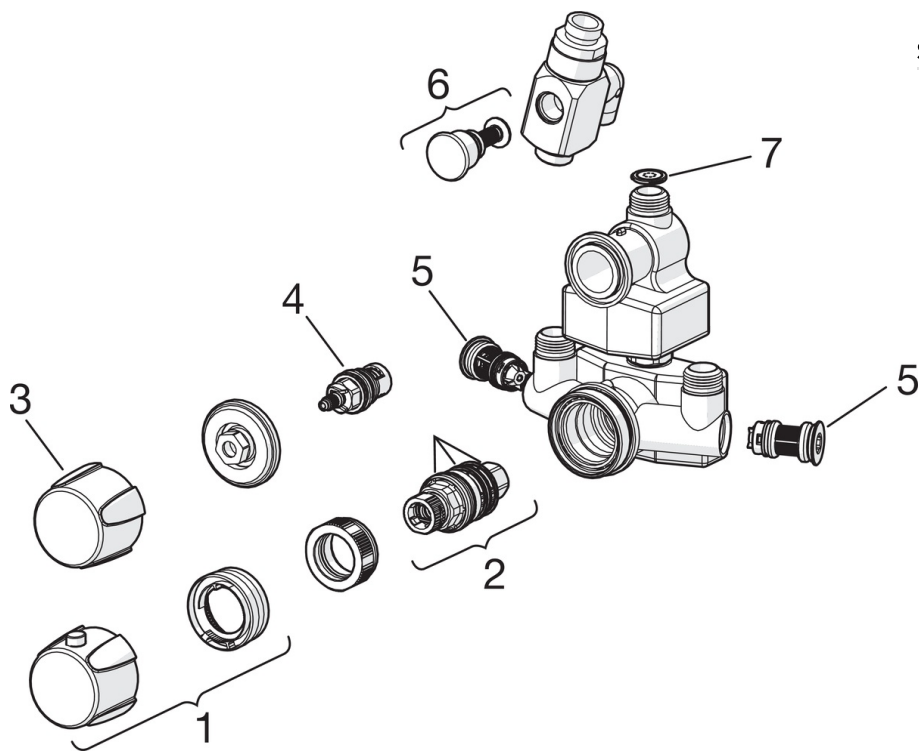
Regulations

EN standard	EN 1111
Noise class	I (ISO3822) Oras lab.





Spare parts



SP7434

Name	Code
01 Temperature control handle	178794V
02 Thermostatic cartridge	178780V
03 Flow control handle	178783V
04 Headpart	109898
05 One-way valve with litter screen	178295
06 Diverter	209695
07 Flow limiter, G1/2, 9L/min	602138V