

EAN: 6414150077357
static.oras.com/7443

Thermostatic bath and shower faucet. Temperature handle equipped with safety stop at 38°C. Volume handle with diverter and EcoFlow control. The faucet includes litter filters and non-return valves.



- Bath tub & Shower
- Thermostatic
- Wall mounted
- Chrome
- Fixed spout
- Standard aerator
- Temperature control handle, Flow control handle
- Turn operated diverter, Integrated into flow control handle
- Eco flow control
- Safety stop against scalding at 38°C, Temperature preset fixable
- Litter filter(s), Non-return valve(s), Thermostatic cartridge for automatic temperature control
- Direct connection, Internal thread

Technical data

Flow properties

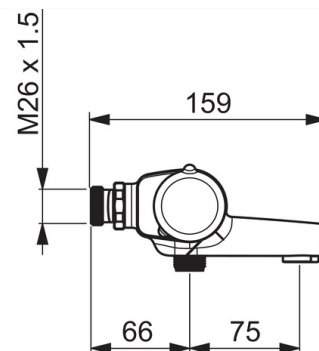
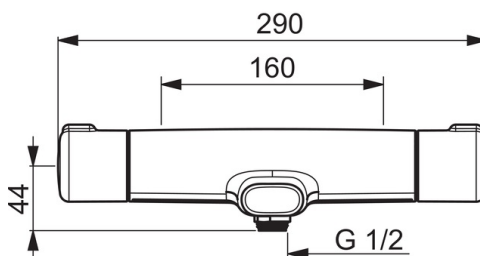
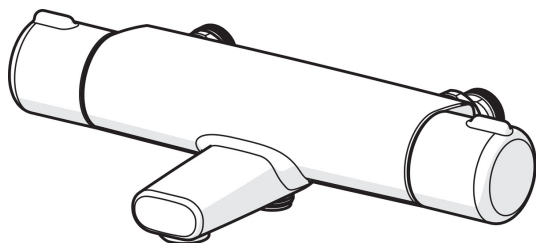
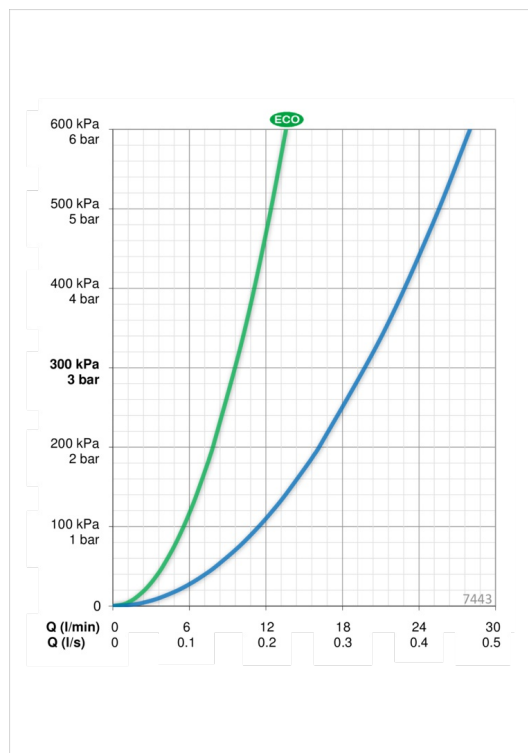
Eco-flow at 300 kPa	0.16 l/s
Flow-rate at 300 kPa	0.33 l/s
Pressure loss with flow (0.2 l/s)	230 kPa
Pressure loss with flow (0.3 l/s)	300 kPa

Technical properties

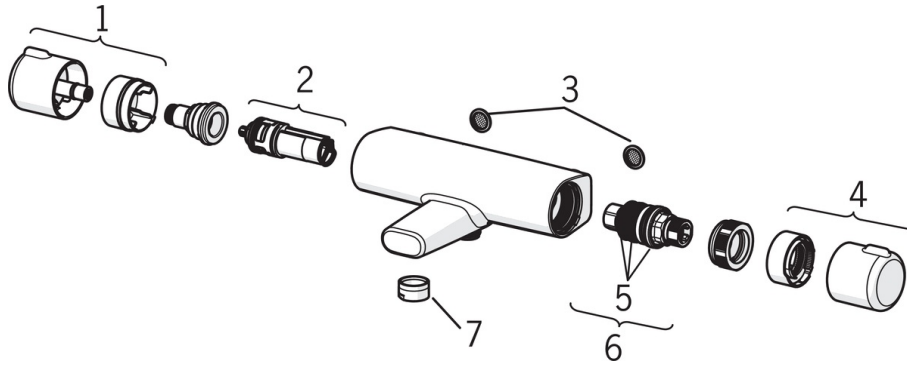
Hot water supply	max. +80°C
Working pressure	100 - 1000 kPa
Connection size	M26x1.5
Installation width	cc160 mm
Projection	138 mm
Material	Brass

Regulations

EN standard	EN 1111
Noise class	II (ISO 3822) Oras lab.



Spare parts



SP7462

	Name	Code
01	Flow control handle	602452V
02	Diverter and cartridge	601278V
03	Litter filters, G1/2, DN15	198094/2
03	Filter sealing, G3/4, DN20	178375V
04	Temperature control handle	602431V
05	O-ring kit	178796V
06	Thermostatic cartridge	178780V
07	Water star, M24x1	158556