



Thermostatic bath and shower faucet. Temperature handle equipped with safety stop at 38°C. Volume handle with diverter and EcoFlow control. The faucet includes litter filters and non-return valves.

- Bath tub & Shower
- Thermostatic
- Wall mounted
- Chrome
- Fixed spout
- Standard aerator
- Temperature control handle, Flow control handle
- Turn operated diverter, Integrated into flow control handle
- Eco flow control
- Thermostatic cartridge for automatic temperature control, Non-return valve(s), Litter filter(s)

## Technical data

### Flow properties

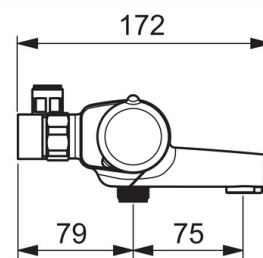
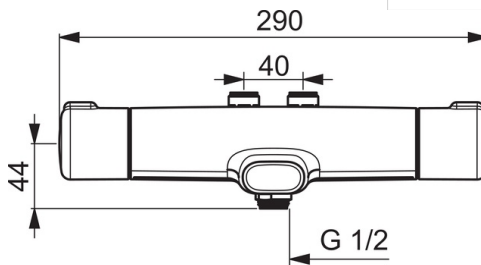
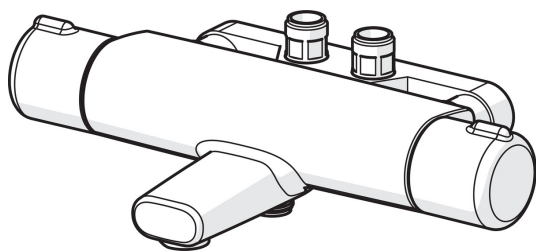
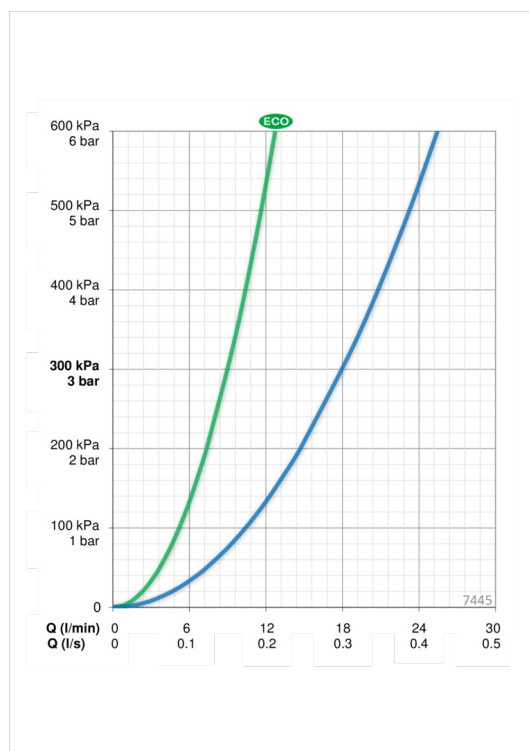
Eco-flow at 300 kPa	<b>0.15 l/s</b>
Flow-rate at 300 kPa	<b>0.3 l/s</b>
Pressure loss with flow (0.2 l/s)	<b>250 kPa</b>
Pressure loss with flow (0.3 l/s)	<b>300 kPa</b>

### Technical properties

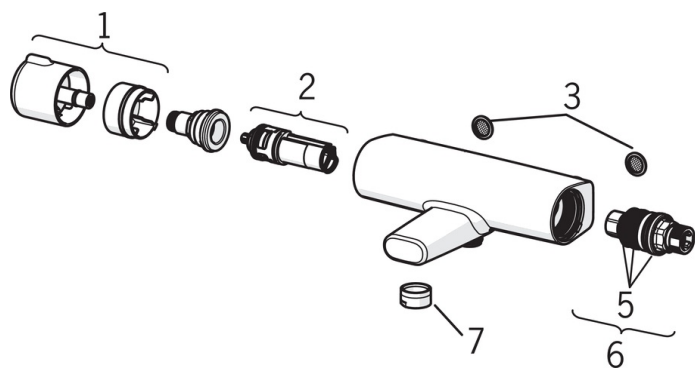
Hot water supply	<b>max. +80°C</b>
Working pressure	<b>100 - 1000 kPa</b>
Connection size	<b>G1/2</b>
Installation width	<b>cc40 mm</b>
Projection	<b>154 mm</b>
Material	<b>Brass</b>

### Regulations

EN standard	<b>EN 1111</b>
Noise class	<b>II (ISO 3822) Oras lab.</b>



## Spare parts



### SP7462

	Name	Code
01	Flow control handle	602452V
02	Diverter and cartridge	601278V
03	Litter filters, G1/2, DN15	198094/2
03	Filter sealing, G3/4, DN20	178375V
04	Temperature control handle	602431V
05	O-ring kit	178796V
06	Thermostatic cartridge	178780V
07	Water star, M24x1	158556