

EAN: 6414150077326

www.oras.com/en/products/oras/product/7447X



Thermostatic shower faucet with swivel spout with diverter and aerator. Eccentric unions and cover plates included.

Reversed hot water connection.

Temperature handle equipped with safety stop at 38°C. Volume handle with EcoFlow control. The faucet includes litter filters and non-return valves.

- Shower
- Thermostatic
- Wall mounted
- Chrome
- Swivel spout
- HONEYCOMB® - improved lime protection
- Temperature control handle, Flow control handle
- Push operated diverter
- Eco flow control
- Safety stop against scalding at 38°C, Temperature preset fixable
- Litter filter(s), Non-return valve(s), Thermostatic cartridge for automatic temperature control, Ceramic head part for flow control
- Eccentric coupling(s), Cover plate(s)

Technical data

Flow properties

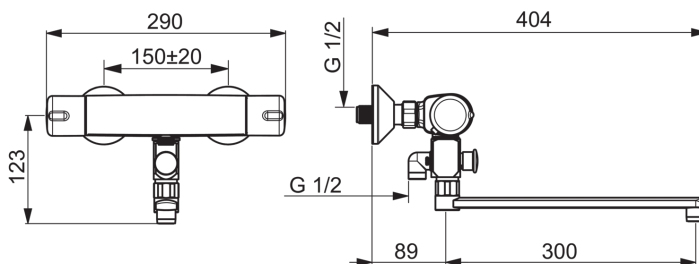
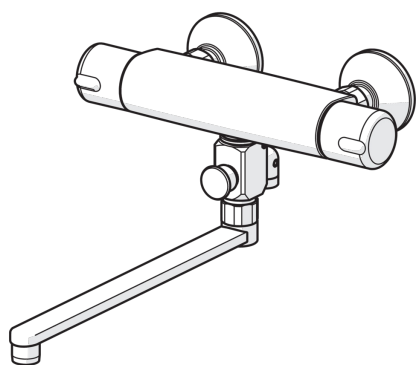
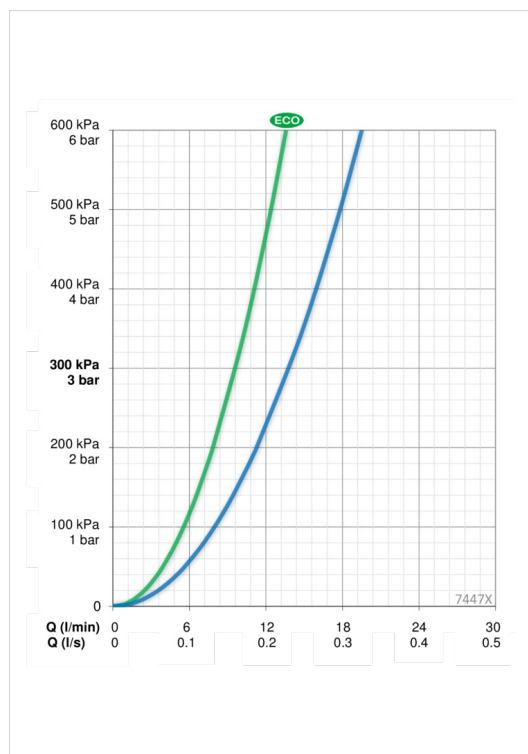
Eco-flow at 300 kPa	0.16 l/s
Flow-rate at 300 kPa	0.23 l/s
Pressure loss with flow (0.2 l/s)	230 kPa

Technical properties

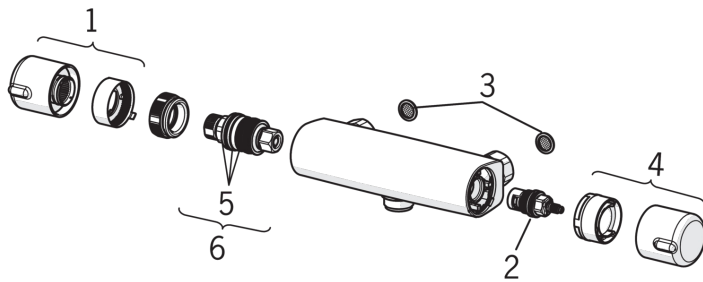
Hot water supply	max. +80°C
Working pressure	100 - 1000 kPa
Connection size	G1/2
Installation width	cc150 mm
Projection	389 mm
Material	Brass

Regulations

EN standard	EN 1111
Noise class	I (ISO 3822) Oras lab.



Spare parts



SP7470U

	Name	Code
01	Temperature control handle	602431V
02	Headpart	109898
03	Litter filters, DN15	198094/2
03	Filter sealing, G3/4	178375V
04	Flow control handle	602430V
05	O-ring kit	178796V
06	Thermostatic cartridge	178780V