

EAN: 6414150067617

www.oras.com/en/products/oras/product/7456



- Health & Care
- Thermostatic
- Wall mounted
- Chrome
- Temperature control handle, Flow control handle, Long shape
- Ceramic head part for flow control, Thermostatic cartridge for automatic temperature control, Non-return valve(s), Litter filter(s)
- Direct connection, Internal thread

Technical data

Flow properties

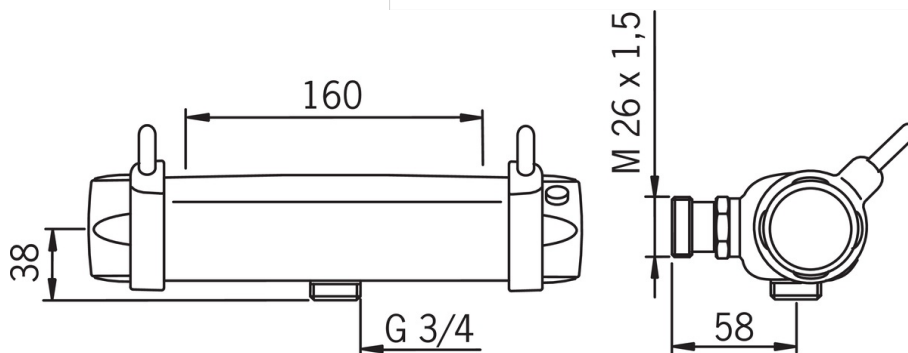
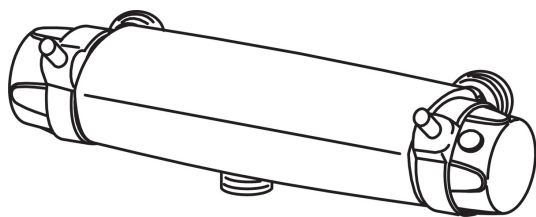
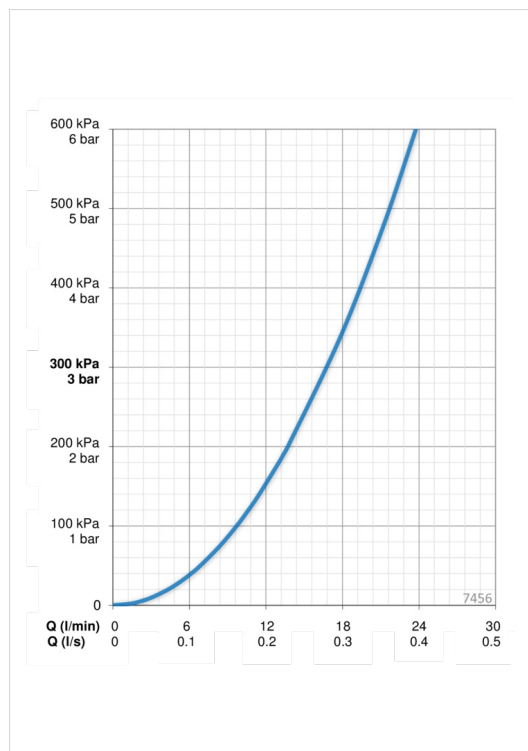
Flow-rate at 300 kPa	0.28 l/s
Pressure loss with flow (0.2 l/s)	150 kPa

Technical properties

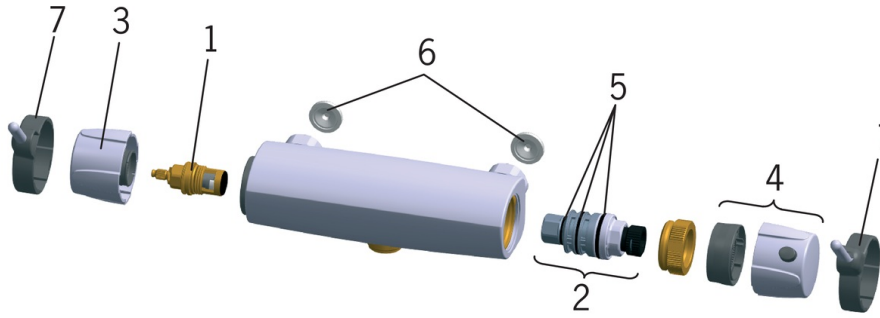
Hot water supply	max. +80°C
Working pressure	100 - 1000 kPa

Regulations

EN standard	EN 1111
Noise class	I (ISO 3822) Oras lab.



Spare parts



SP7456

	Name	Code
01	Headpart	109898
02	Thermostatic cartridge	178780V
03	Flow control handle	178783V
04	Temperature control handle	178794V
05	O-ring kit	178796V
06	Litter filters, DN15	198094/2
07	Assist handle	600268V