



- Shower solutions
- Thermostatic
- Wall mounted
- Matt black
- Temperature control handle, Flow control handle
- Eco flow control
- Safety stop against scalding at 38°C, Temperature preset fixable
- Thermostatic cartridge for automatic temperature control, Litter filter(s), Non-return valve(s), Ceramic head part for flow control
- Eccentric coupling(s), Cover plate(s), Silencer(s)

Technical data

Flow properties

Eco-flow at 300 kPa	0.19 l/s
Flow-rate at 300 kPa	0.27 l/s
Pressure loss with flow (0.2 l/s)	165 kPa

Technical properties

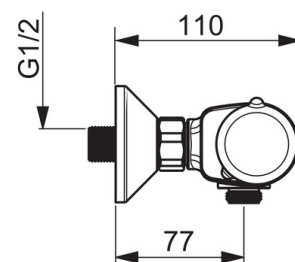
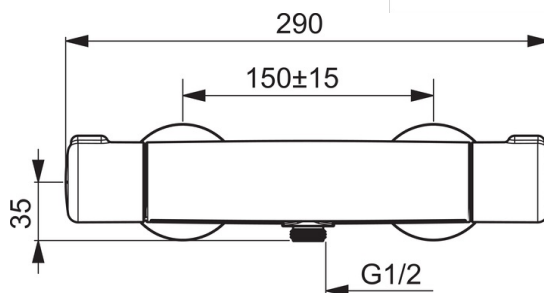
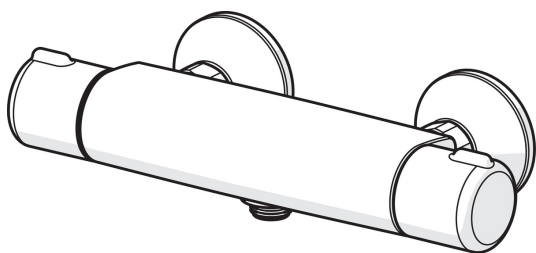
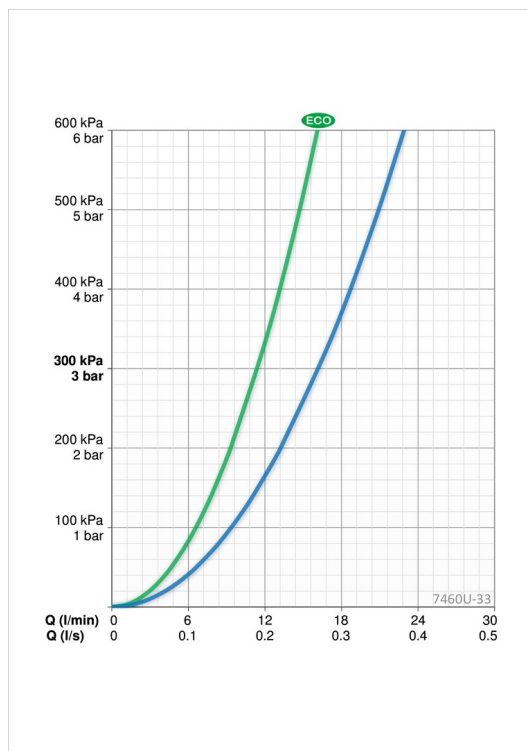
Hot water supply	max. +80°C
Working pressure	100 - 1000 kPa
Connection size	G1/2
Installation width	cc150 mm
Material	Brass

Regulations

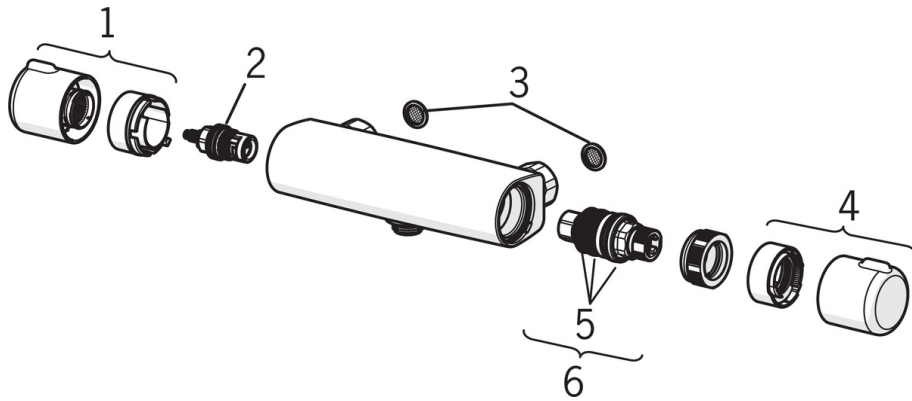
EN standard	EN 1111
Noise class	I (ISO 3822) Oras lab.

Approvals and Declarations

KIWA SE	1598
---------	-------------



Spare parts



SP7460-33

	Name	Code
02	Headpart	109898
03	Filter sealing, G3/4, DN20	178375V
05	O-ring kit	178796V
06	Thermostatic cartridge	178780V