

EAN: 6414150077210

[www.oras.com/en/products/oras/product/7460U](http://www.oras.com/en/products/oras/product/7460U)



Thermostatic shower faucet. Eccentric unions and cover plates included. Temperature handle equipped with safety stop at 38°C. Volume handle with EcoFlow control. The faucet includes litter filters and non-return valves.

- Shower
- Thermostatic
- Wall mounted
- Chrome
- Temperature control handle, Flow control handle
- Eco flow control
- Safety stop against scalding at 38°C, Temperature preset fixable
- Thermostatic cartridge for automatic temperature control, Litter filter(s), Non-return valve(s), Ceramic head part for flow control
- Eccentric coupling(s), Cover plate(s)

## Technical data

### Flow properties

Eco-flow at 300 kPa	<b>0.19 l/s</b>
Flow-rate at 300 kPa	<b>0.27 l/s</b>
Pressure loss with flow (0.2 l/s)	<b>165 kPa</b>

### Technical properties

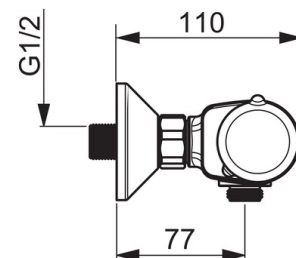
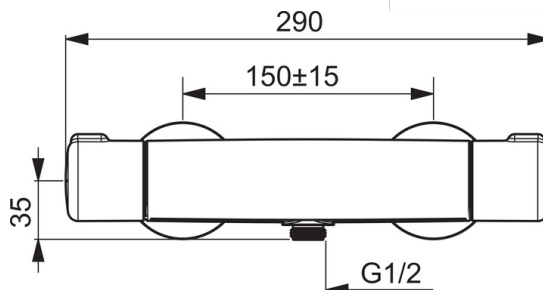
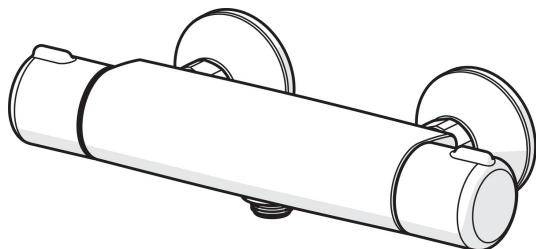
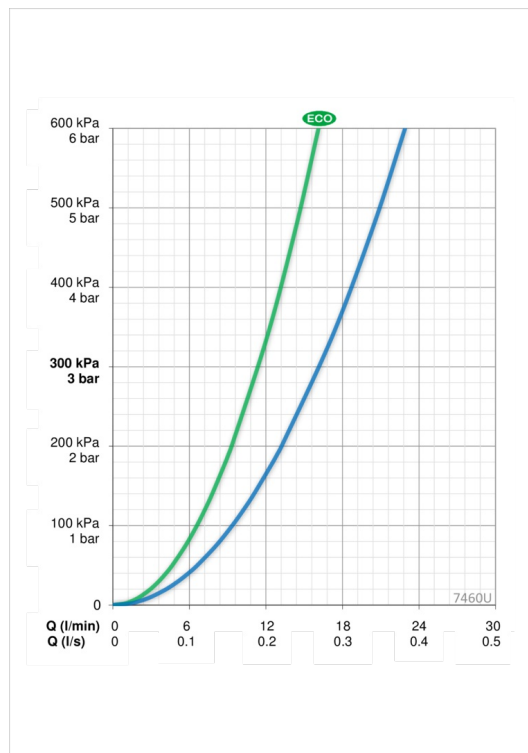
Hot water supply	<b>max. +80°C</b>
Working pressure	<b>100 - 1000 kPa</b>
Connection size	<b>G1/2</b>
Installation width	<b>cc150 mm</b>
Material	<b>Brass</b>

### Regulations

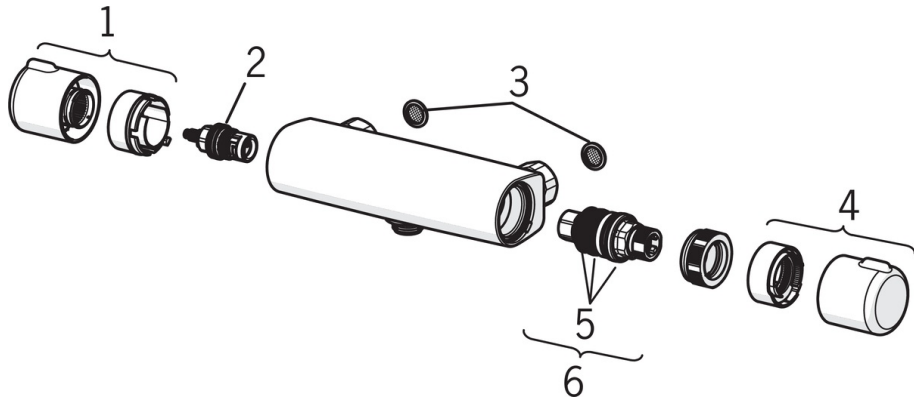
EN standard	<b>EN 1111</b>
Noise class	<b>I (ISO 3822) Oras lab.</b>

### Type approvals

KIWA SE	<b>1598</b>
---------	-------------



## Spare parts



### SP7460

	<b>Name</b>	<b>Code</b>
01	Flow control handle	602430V
02	Headpart	109898
03	Litter filters, DN15	198094/2
03	Filter sealing, G3/4	178375V
04	Temperature control handle	602431V
05	O-ring kit	178796V
06	Thermostatic cartridge	178780V