

EAN: 6414150077234
static.oras.com/7461



Thermostatic shower faucet. Temperature handle equipped with safety stop at 38°C. Volume handle with EcoFlow control. The faucet includes litter filters and non-return valves.

- Shower solutions
- Thermostatic
- Wall mounted
- Chrome
- Temperature control handle, Flow control handle
- Eco flow control
- Safety stop against scalding at 38°C, The housing of the fittings conducts minimal heat
- Thermostatic cartridge for automatic temperature control, Litter filter(s), Non-return valve(s), Ceramic head part for flow control
- Direct connection, Internal thread

Technical data

Flow properties

| | |
|-----------------------------------|-----------------|
| Eco-flow at 300 kPa | 0.19 l/s |
| Flow-rate at 300 kPa | 0.28 l/s |
| Pressure loss with flow (0.2 l/s) | 165 kPa |

Technical properties

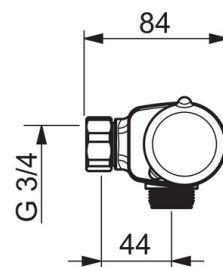
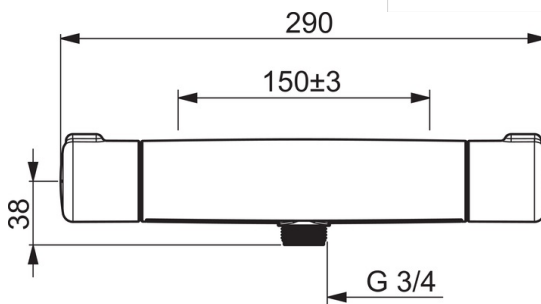
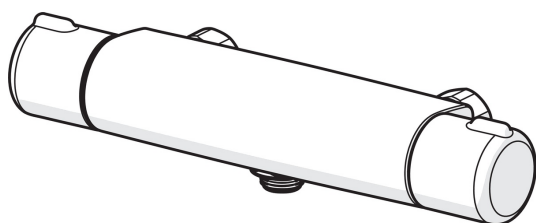
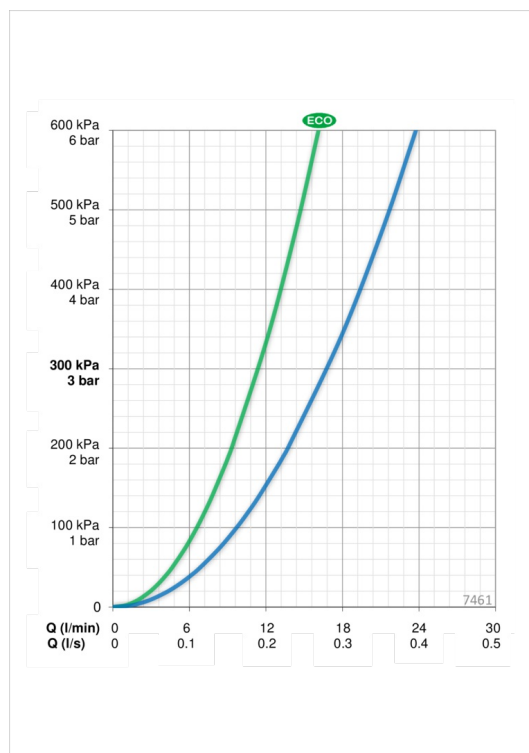
| | |
|--------------------|-----------------------|
| Hot water supply | max. +80°C |
| Working pressure | 100 - 1000 kPa |
| Connection size | G3/4 |
| Installation width | cc150 mm |
| Material | Brass |

Regulations

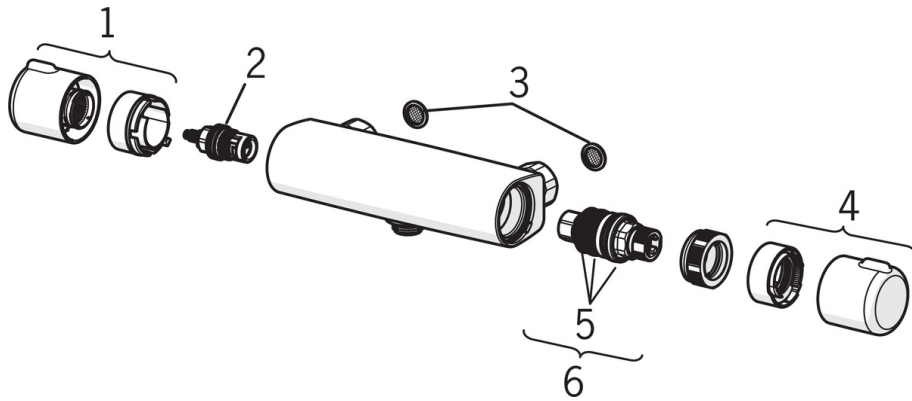
| | |
|-------------|-------------------------------|
| EN standard | EN 1111 |
| Noise class | I (ISO 3822) Oras lab. |

Approvals and Declarations

| | |
|-----------------|-------------------------|
| STF certificate | VTT-RTH-00085-17 |
|-----------------|-------------------------|



Spare parts



SP7460

| | Name | Code |
|----|----------------------------|----------|
| 01 | Flow control handle | 602430V |
| 02 | Headpart | 109898 |
| 03 | Litter filters, G1/2, DN15 | 198094/2 |
| 03 | Filter sealing, G3/4, DN20 | 178375V |
| 04 | Temperature control handle | 602431V |
| 05 | O-ring kit | 178796V |
| 06 | Thermostatic cartridge | 178780V |