



- Bathtub & Shower
- Thermostatic
- Wall mounted
- Matt black
- Fixed spout
- Standard aerator
- Temperature control handle, Flow control handle
- Turn operated diverter, Integrated into flow control handle
- Eco flow control
- Safety stop against scalding at 38°C
- Litter filter(s), Non-return valve(s), Thermostatic cartridge for automatic temperature control
- Direct connection, Internal thread, Cover plate(s)

Technical data

Flow properties

Eco-flow at 300 kPa	0.16 l/s
Flow-rate at 300 kPa	0.23 l/s
Pressure loss with flow (0.2 l/s)	230 kPa

Technical properties

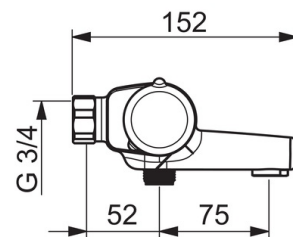
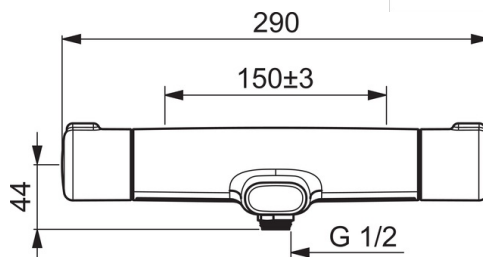
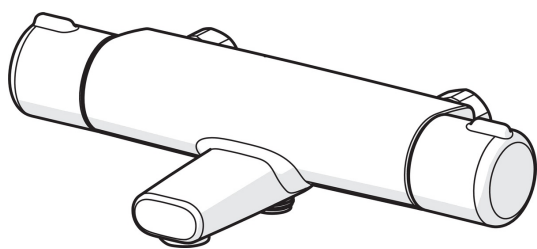
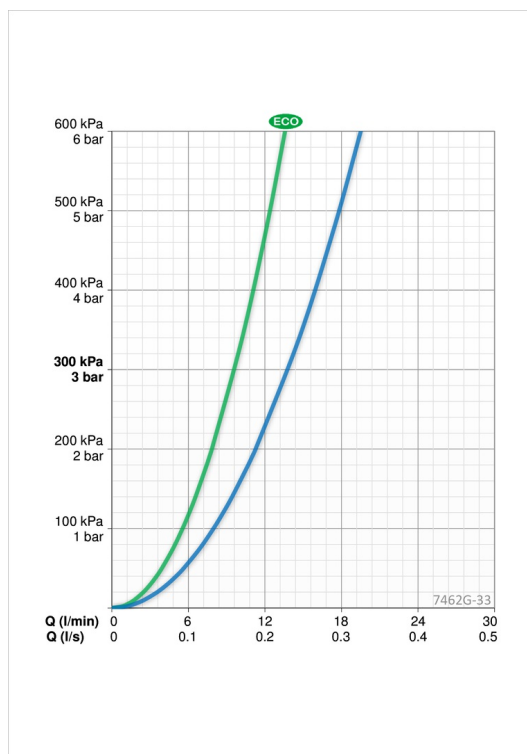
Hot water supply	max. +80°C
Working pressure	100 - 1000 kPa
Connection size	G1/2
Installation width	cc150 mm
Material	Brass

Regulations

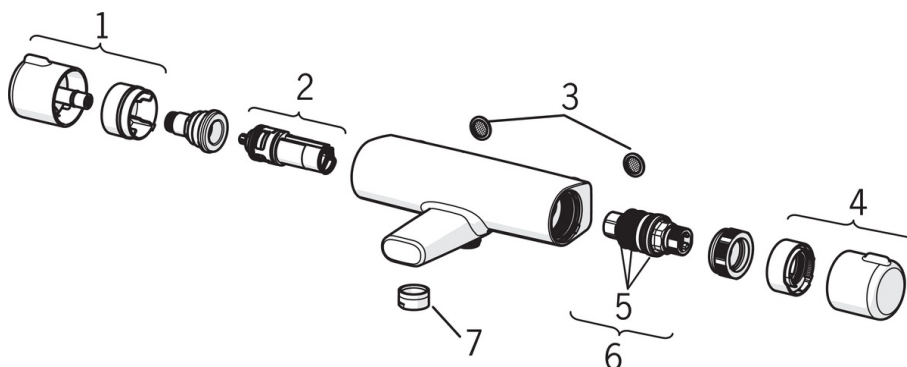
EN standard	EN 1111
Noise class	I(ISO 3822)

Approvals and Declarations

STF certificate	VTT-RTH-00085-17
-----------------	-------------------------



Spare parts



SP7462G-33

Name	Code
02 Diverter and cartridge	601278V
03 Filter sealing, G3/4, DN20	178375V
05 O-ring kit	178796V
06 Thermostatic cartridge	178780V