

EAN: 6414150081132
static.oras.com/7462G



- Shower solutions
- Thermostatic
- Wall mounted
- Chrome
- Fixed spout
- Standard aerator
- Temperature control handle, Flow control handle
- Turn operated diverter, Integrated into flow control handle
- Eco flow control
- Safety stop against scalding at 38°C
- Litter filter(s), Non-return valve(s), Thermostatic cartridge for automatic temperature control

Technical data

Flow properties

Eco-flow at 300 kPa	0.16 l/s
Flow-rate at 300 kPa	0.23 l/s
Pressure loss with flow (0.2 l/s)	230 kPa

Technical properties

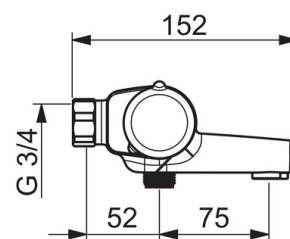
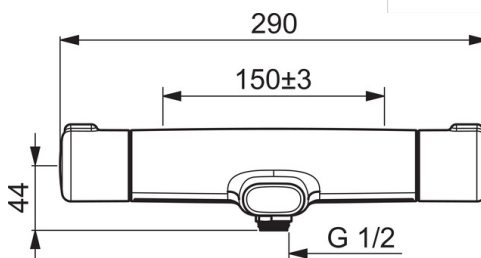
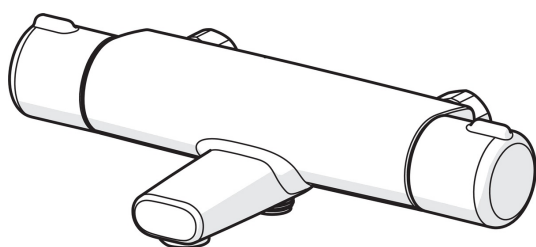
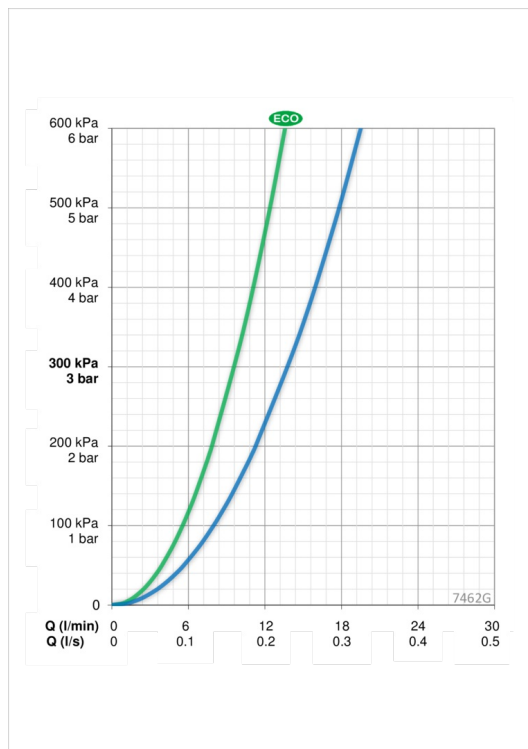
Hot water supply	max. +80°C
Working pressure	100 - 1000 kPa
Connection size	G1/2
Installation width	cc150 mm
Material	Brass

Regulations

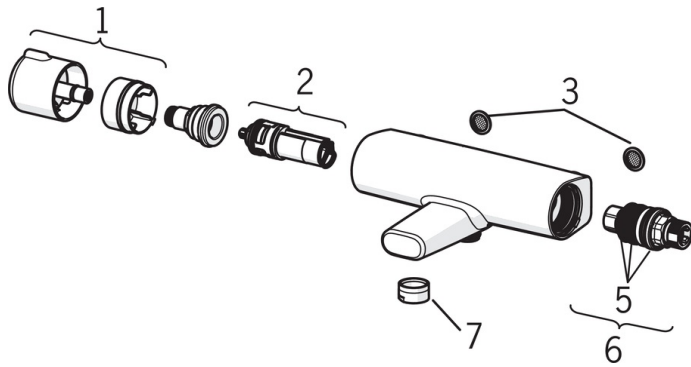
EN standard	EN 1111
Noise class	I (ISO 3822)

Approvals and Declarations

STF certificate	VTT-RTH-00085-17
-----------------	-------------------------



Spare parts



SP7462G

	Name	Code
01	Flow control handle	602452V
02	Diverter and cartridge	601278V
03	Litter filters, G1/2, DN15	198094/2
03	Filter sealing, G3/4, DN20	178375V
04	Temperature control handle	602431V
05	O-ring kit	178796V
06	Thermostatic cartridge	178780V
07	Aerator, M24x1 uk	600654V